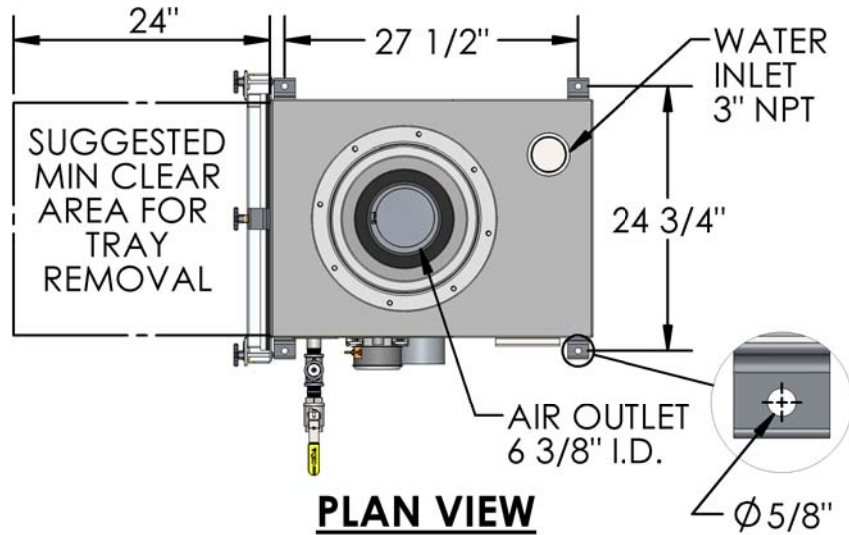


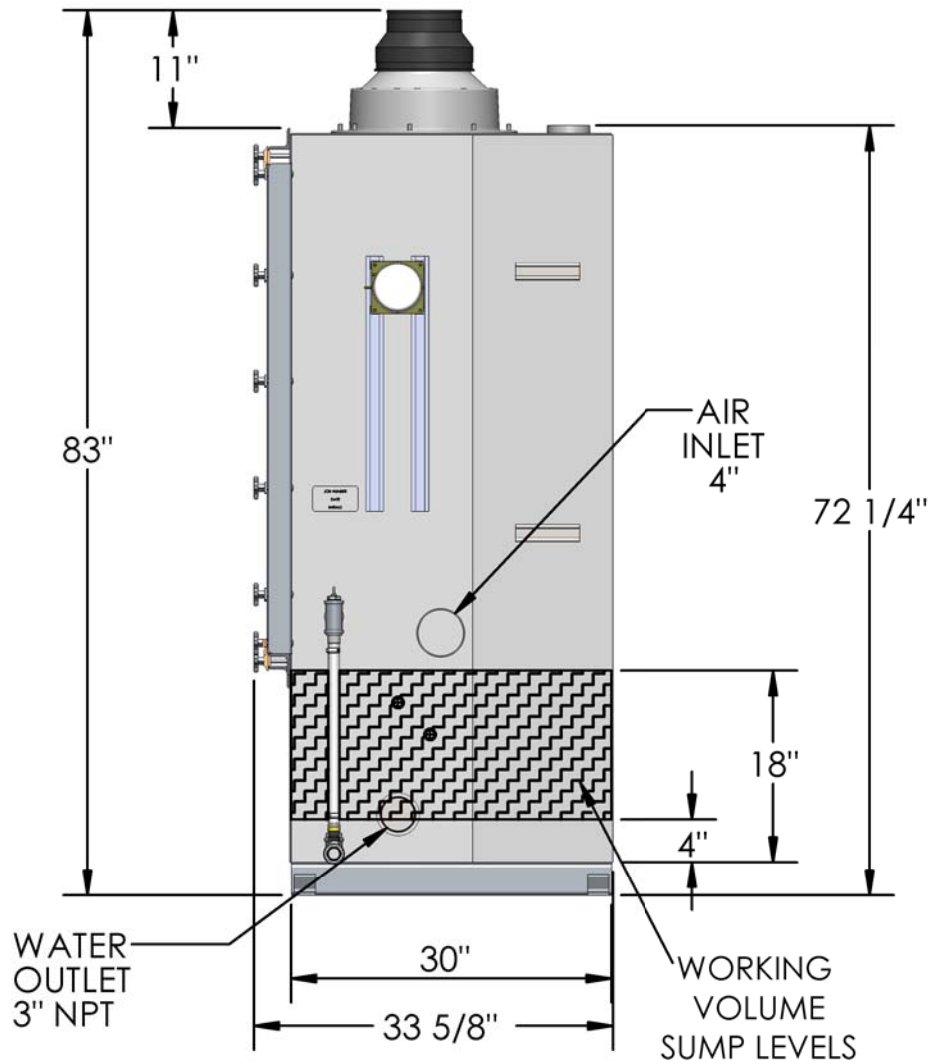
E-Z TRAY EZ-4.4HF

GENERAL SPECIFICATIONS

- Max. flow rate: 120 GPM
- Air flow: 210 CFM
- Sump working vol.: 35 GAL
- Materials of construction: 304SS , polycarbonate door, neoprene gaskets and polyester felt.



FRONT VIEW



EZ-4.4HF (AIR STRIPPER ONLY)

FOR MORE SPECIFICATIONS SCAN:

[HTTP:\\qedenv.com](http://qedenv.com)

NOT TO SCALE, NOT FOR CONSTRUCTION, FOR REFERENCE ONLY
 LICENSED UNDER PATENT # 10,272,356 B2 AND
 MORE U.S. AND NON U.S. PATENTS.

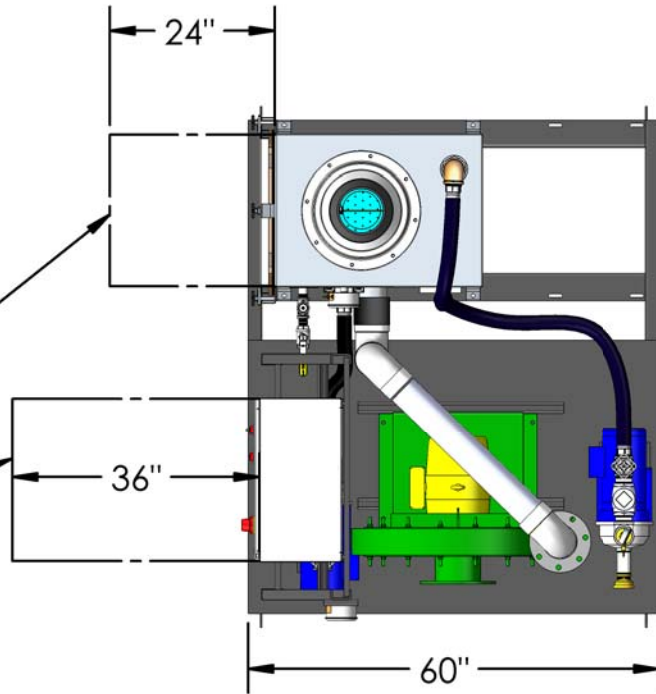


GENERAL SPECIFICATIONS

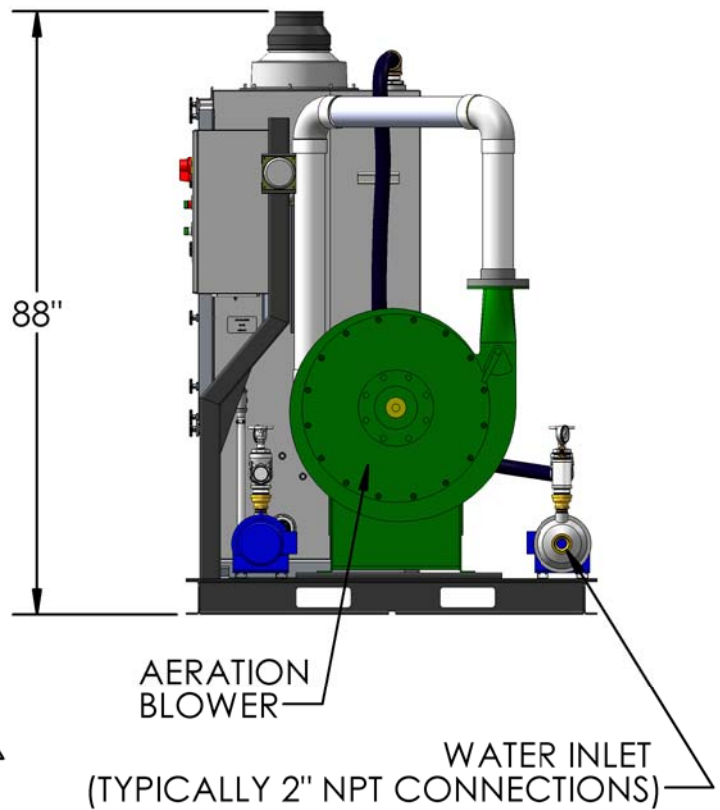
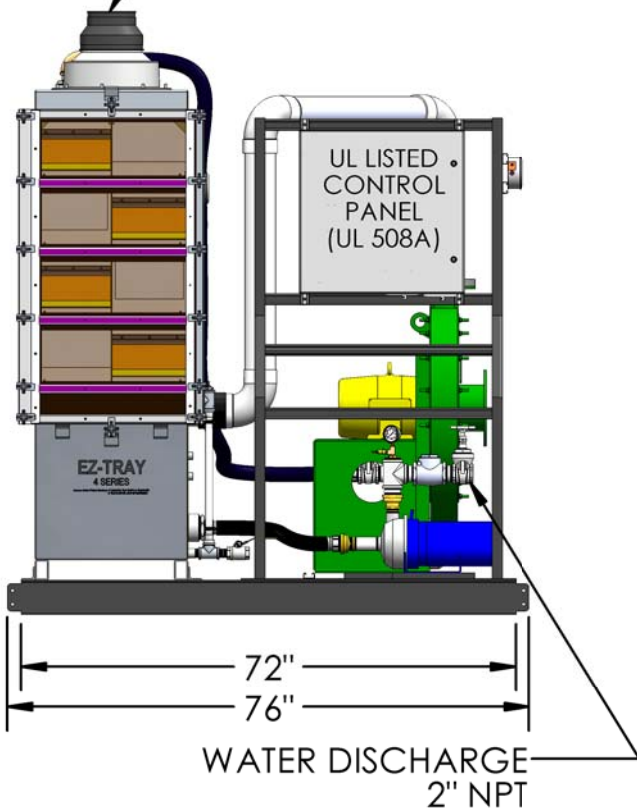
- Max. flow rate: 120 GPM
- Air flow: 210 CFM
- Sump working vol.: 35 GAL
- Materials of construction:
304SS , polycarbonate door,
neoprene gaskets and
polyester felt.

SUGGESTED MIN CLEAR
AREA FOR TRAY REMOVAL

MIN CLEAR AREA
IN FRONT OF PANEL



AIR DISCHARGE
6.625 O.D.



EXAMPLE OF A SKID SYSTEM WITH CONTROL PANEL, PUMPS, AND BLOWER CONTACT QED FOR INFORMATION ON ALL OPTIONS.
NOT TO SCALE, NOT FOR CONSTRUCTION, FOR REFERENCE ONLY
LICENSED UNDER PATENT # 10,272,356 B2 AND
MORE U.S. AND NON U.S. PATENTS.