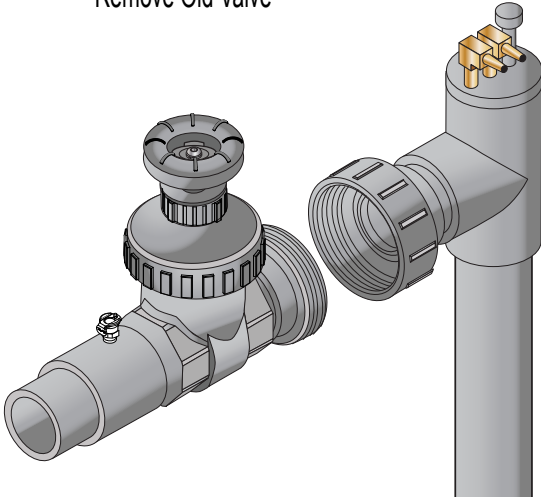


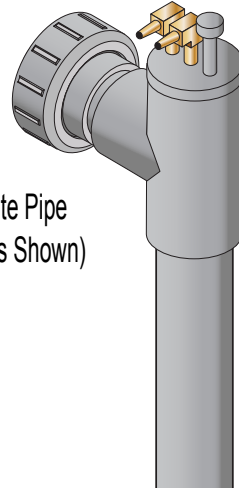
ITEM	PART #	DESCRIPTION	QTY.
1	CV2000	2" PRECISION VALVE	1
2	40498	PIPE 2" SCH. 80 4" LONG	1
3	40483	UNION 2" SOC. x SOC. SCH 80	1

**Note:**  
Glue Item #2 To Item #1 & Item #3 Using Pvc Glue As Shown.

**1** Unthread Union And  
Remove Old Valve



**2** Rotate Pipe  
90° (As Shown)



**3** Thread QED Valve  
Assembly  
To Union Fitting

