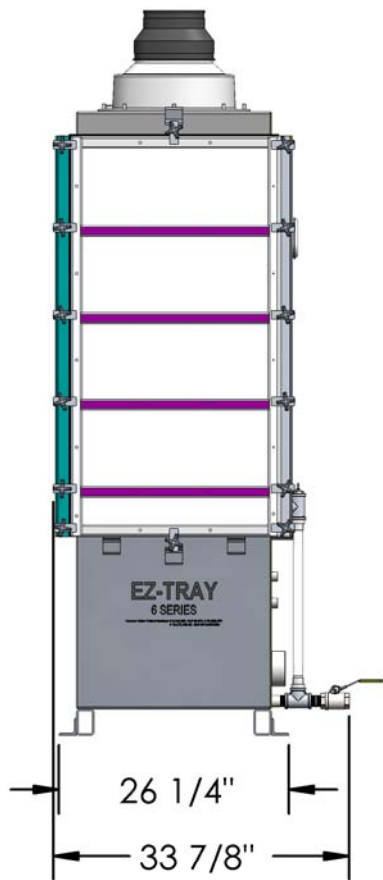
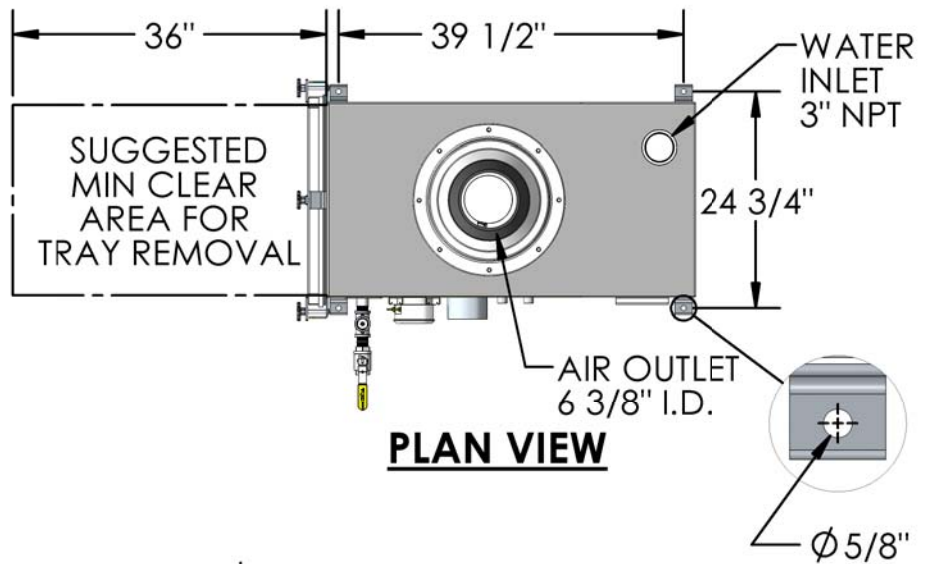


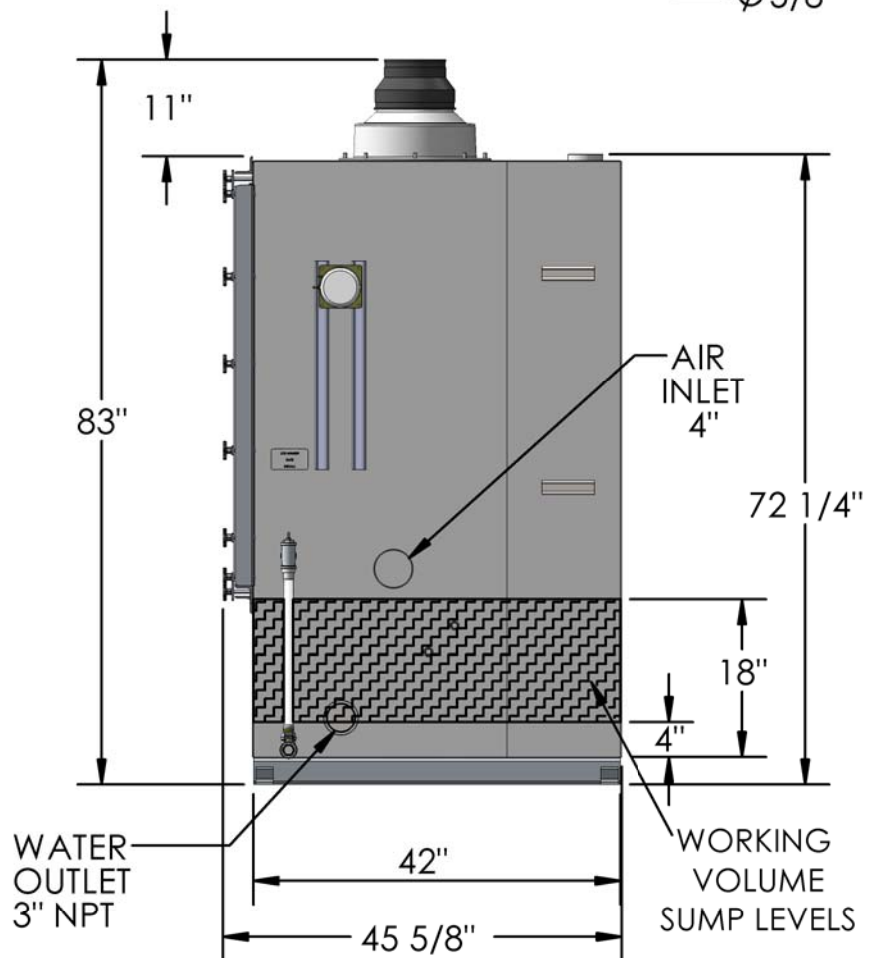
# E-Z TRAY EZ-6.4HF

## GENERAL SPECIFICATIONS

- Max. flow rate: 120 GPM
- Air flow: 320 CFM
- Sump working vol.: 46 GAL
- Materials of construction: 304SS , polycarbonate door, neoprene gaskets and polyester felt.



**FRONT VIEW**



**SIDE VIEW**



## EZ-6.4HF (AIR STRIPPER ONLY)

FOR MORE SPECIFICATIONS SCAN:

<http://www.qedenv.com>

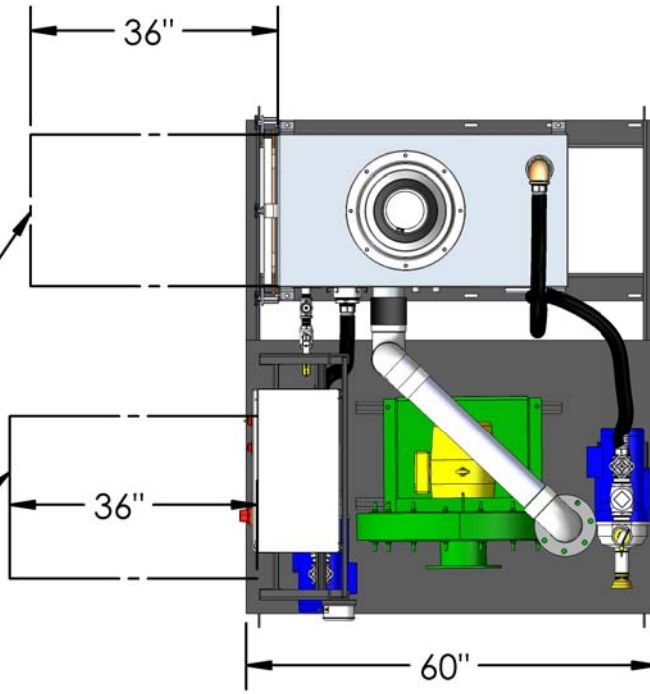
NOT TO SCALE, NOT FOR CONSTRUCTION, FOR REFERENCE ONLY  
 LICENSED UNDER PATENT # 10,272,356 B2 AND  
 MORE U.S. AND NON U.S. PATENTS.

GENERAL SPECIFICATIONS

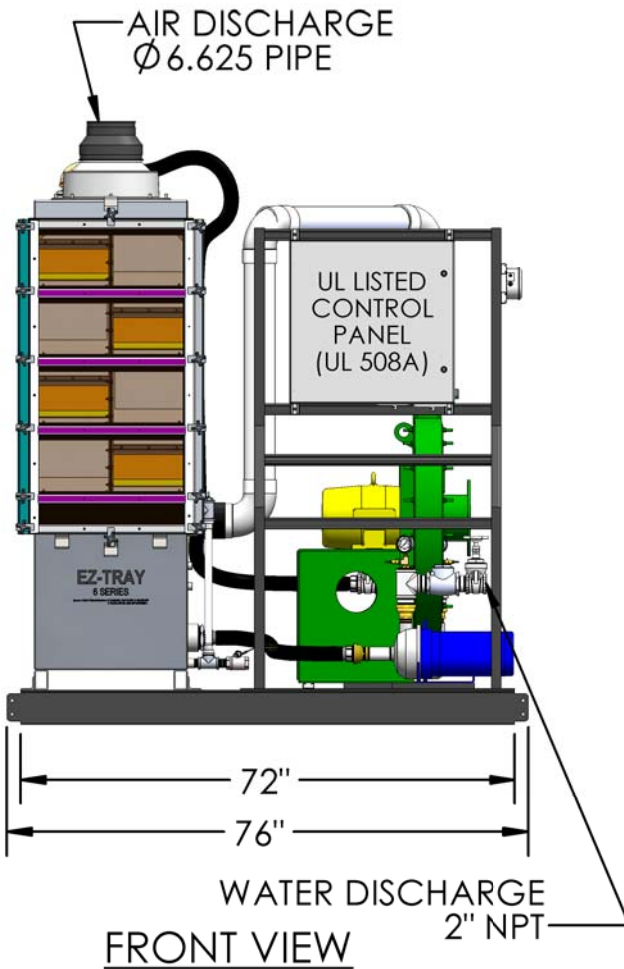
- Max. flow rate: 120 GPM
- Air flow: 320 CFM
- Sump working vol.: 46 GAL
- Materials of construction: 304SS , polycarbonate door, neoprene gaskets and polyester felt.

SUGGESTED MIN CLEAR AREA FOR TRAY REMOVAL

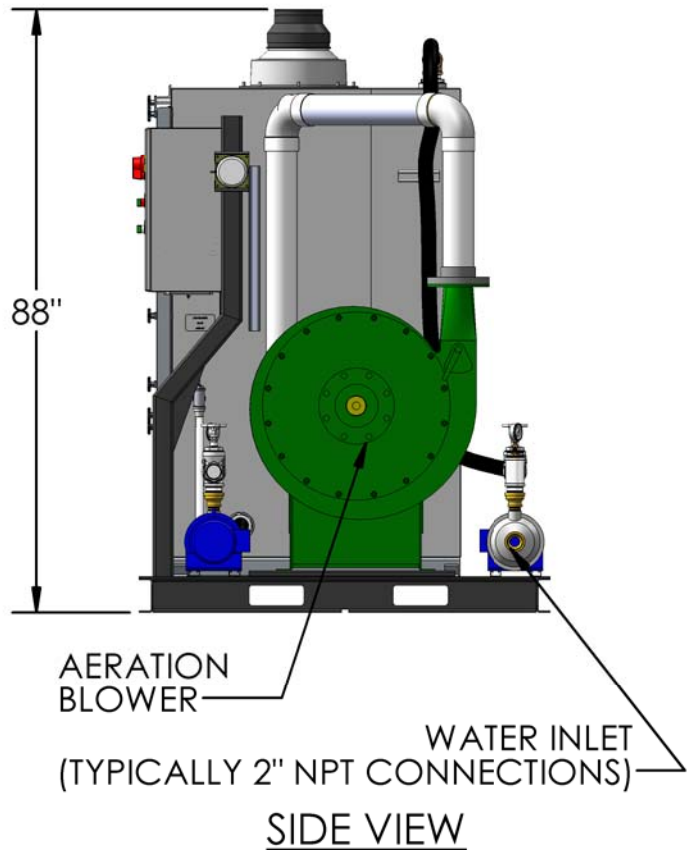
MIN CLEAR AREA IN FRONT OF PANEL



PLAN VIEW



FRONT VIEW



SIDE VIEW



EXAMPLE OF A SKID SYSTEM WITH CONTROL PANEL, PUMPS, AND BLOWER CONTACT QED FOR INFORMATION ON ALL OPTIONS.  
NOT TO SCALE, NOT FOR CONSTRUCTION, FOR REFERENCE ONLY  
LICENSED UNDER PATENT # 10,272,356 B2 AND MORE U.S. AND NON U.S. PATENTS.