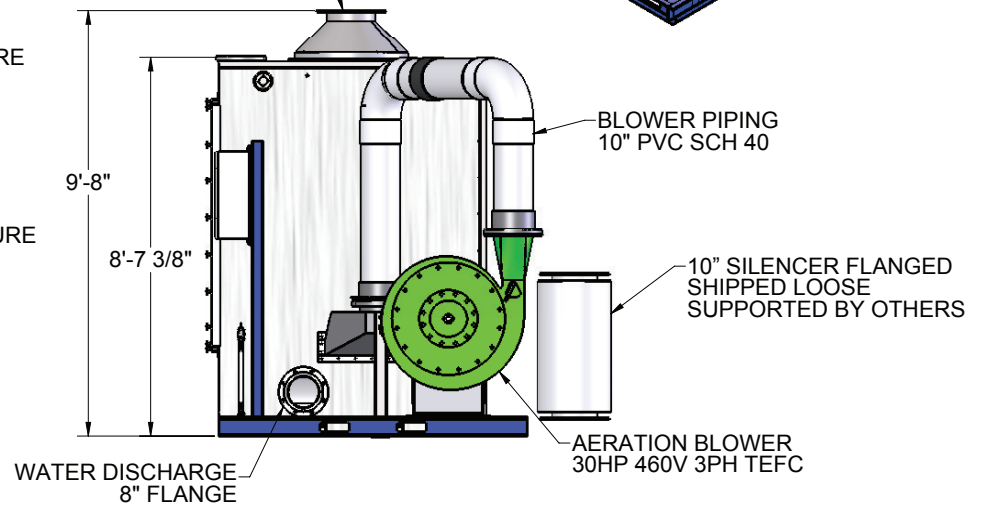
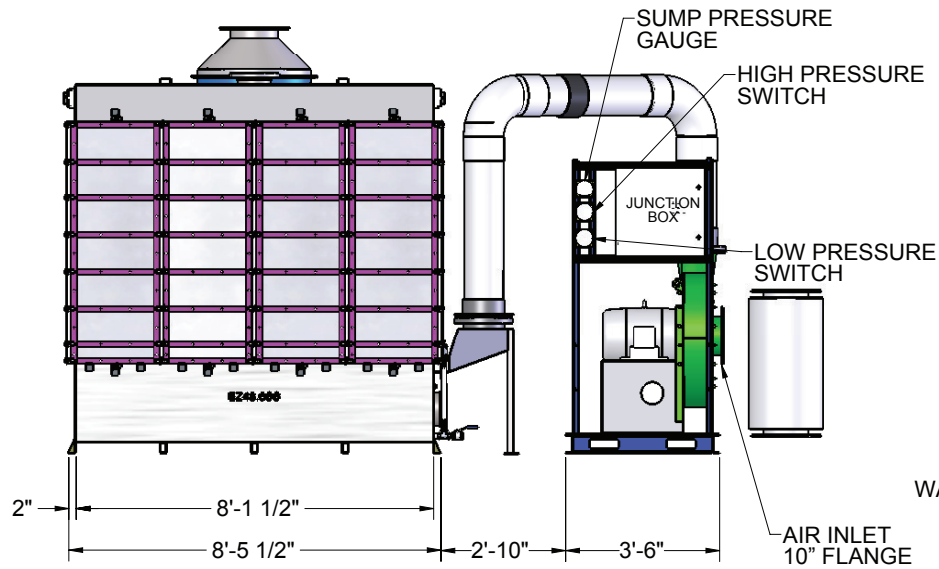
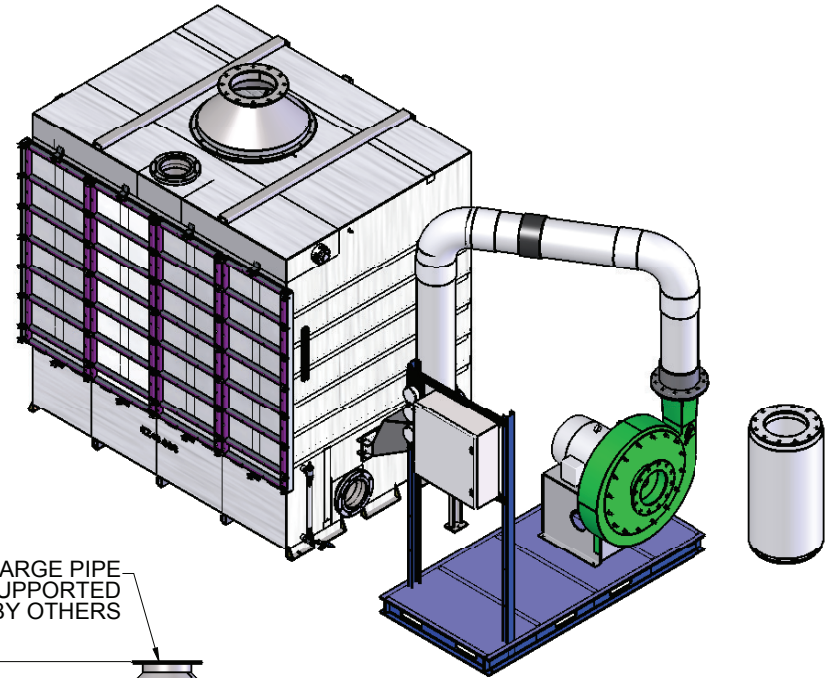
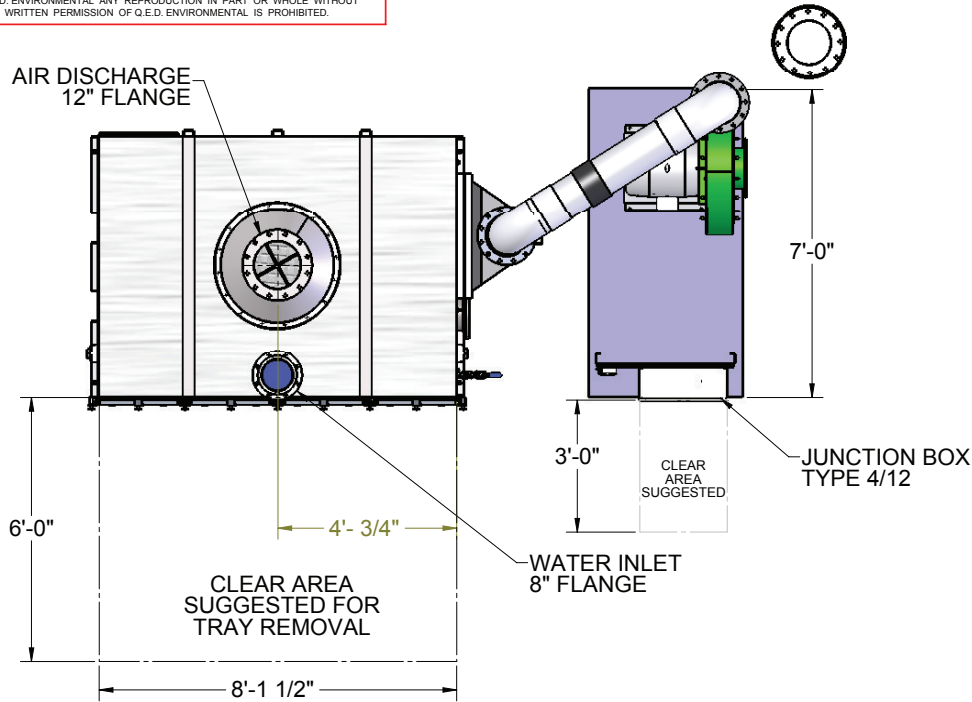




THE INFORMATION CONTAINED IN THIS DRAWING IS THE SOLE PROPERTY OF Q.E.D. ENVIRONMENTAL. ANY REPRODUCTION IN PART OR WHOLE WITHOUT THE WRITTEN PERMISSION OF Q.E.D. ENVIRONMENTAL IS PROHIBITED.

REVISIONS					
REV.	DESCRIPTION	ECO #	DRAWN BY	CHECKED BY	DATE



UNLESS OTHERWISE SPECIFIED, DIMENSIONS ARE IN INCHES AND INCLUDE PLATING REMOVE ALL BURRS	DRAWN BY	DATE	 <b>QED</b> Environmental Systems 6155 JACKSON ROAD, ANN ARBOR, MI. 48103
	BS	1-27-11	
	CHECKED BY	DATE	
TOLERANCES	CJ	1-27-11	TITLE
XX +/- .01 FRACT +/- 1/2	APPROVED BY	DATE	
XXX +/- .005 ANGLES +/- 1/2	DC	1-27-11	
OTHER TOLERANCES AS SPECIFIED			
NEXT ASSY -	MATERIAL -	DWG. NO. 11T-32641 LAYOUT	
USED ON -	FINISH -	SCALE 1:24	REV. SHEET OF