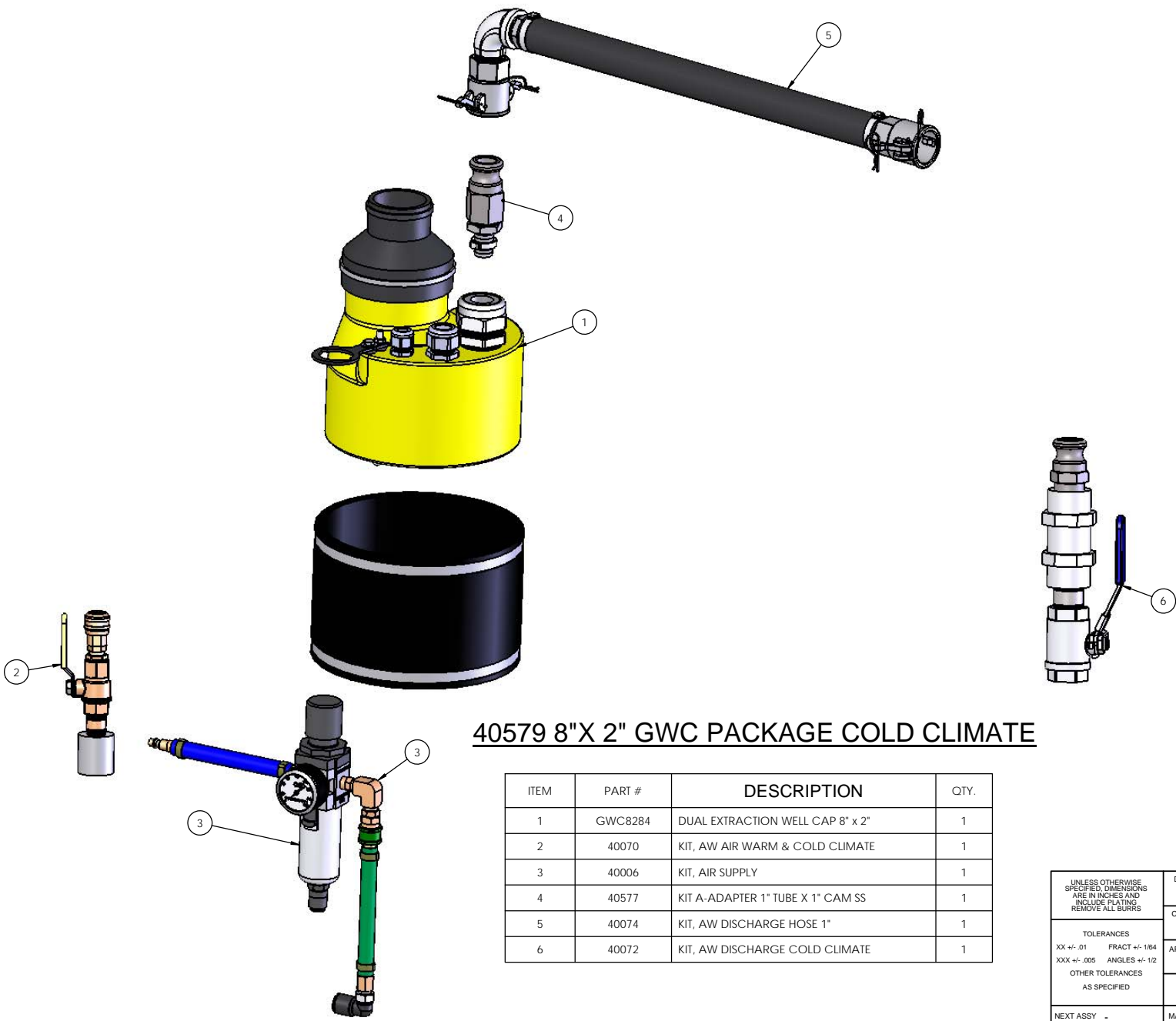


THE INFORMATION CONTAINED IN THIS DRAWING IS THE SOLE PROPERTY OF Q.E.D. ENVIRONMENTAL. ANY REPRODUCTION IN PART OR WHOLE WITHOUT THE WRITTEN PERMISSION OF Q.E.D. ENVIRONMENTAL IS PROHIBITED.


REVISIONS

REV.	DESCRIPTION	ECO #	DRAWN BY	CHECKED BY	DATE
-	RELEASED FOR PRODUCTION	3461	BS	LN	1-9-12



40579 8" X 2" GWC PACKAGE COLD CLIMATE

ITEM	PART #	DESCRIPTION	QTY.
1	GWC8284	DUAL EXTRACTION WELL CAP 8" X 2"	1
2	40070	KIT, AW AIR WARM & COLD CLIMATE	1
3	40006	KIT, AIR SUPPLY	1
4	40577	KIT A-ADAPTER 1" TUBE X 1" CAM SS	1
5	40074	KIT, AW DISCHARGE HOSE 1"	1
6	40072	KIT, AW DISCHARGE COLD CLIMATE	1

UNLESS OTHERWISE SPECIFIED, DIMENSIONS ARE IN INCHES AND INCLUDE PLATING REMOVE ALL BURRS	DRAWN BY BS	DATE 12-27-11	 PO BOX 3726 , ANN ARBOR, MI. 48106
	CHECKED BY LN	DATE 1-9-12	
TOLERANCES XX +/- .01 FRACT +/- .164 XXX +/- .005 ANGLES +/- 1/2 OTHER TOLERANCES AS SPECIFIED	APPROVED BY DC	DATE 1-9-12	TITLE 8" X 2" GWC PACKAGE COLD CLIMATE
NEXT ASSY -	MATERIAL -	DWG. NO. 40579	REV. -
USED ON -	FINISH -	SCALE 1:3	SHEET OF