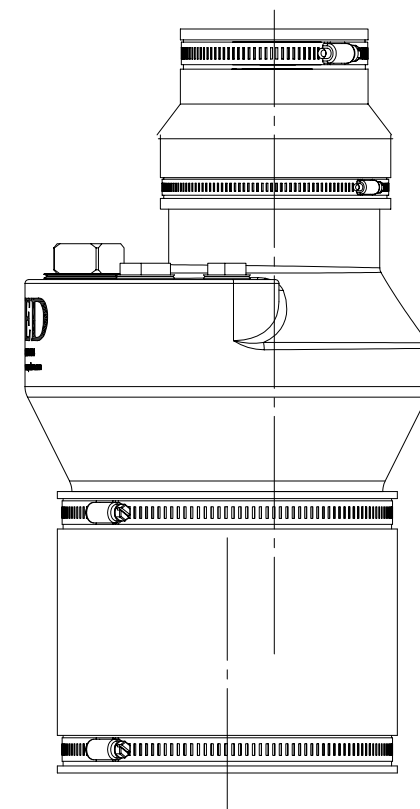


SECTION A-A

SCALE 1 = 4



GWC63  
 LF GAS WELL CAP 6" X 3"



734-995-2547 -US HEADQUARTERS  
 734-995-1170 -FAX  
 800-624-2026 -NORTH AMERICA TOLL FREE  
 WWW.QEDENV.COM -WEB PAGE

TOLERANCES UNLESS OTHERWISE SPECIFIED ANGULAR : .5° FRAC : .XXX : .005 .XX : .01 .XXX : .0005		APPROVALS DRAWN TONY RAMIREZ DESIGNER LN/BP CHECKED LN/BP APPROVED LN/BP	DATE 7-9-12 7-11-12 7-11-12 7-11-12	TITLE GWC63 LF GAS WELL CAP 6" X 3"	DRAWING No. 602420 SCALE NONE	REV 01 SHT OF
---	--	--	---	--	----------------------------------	------------------