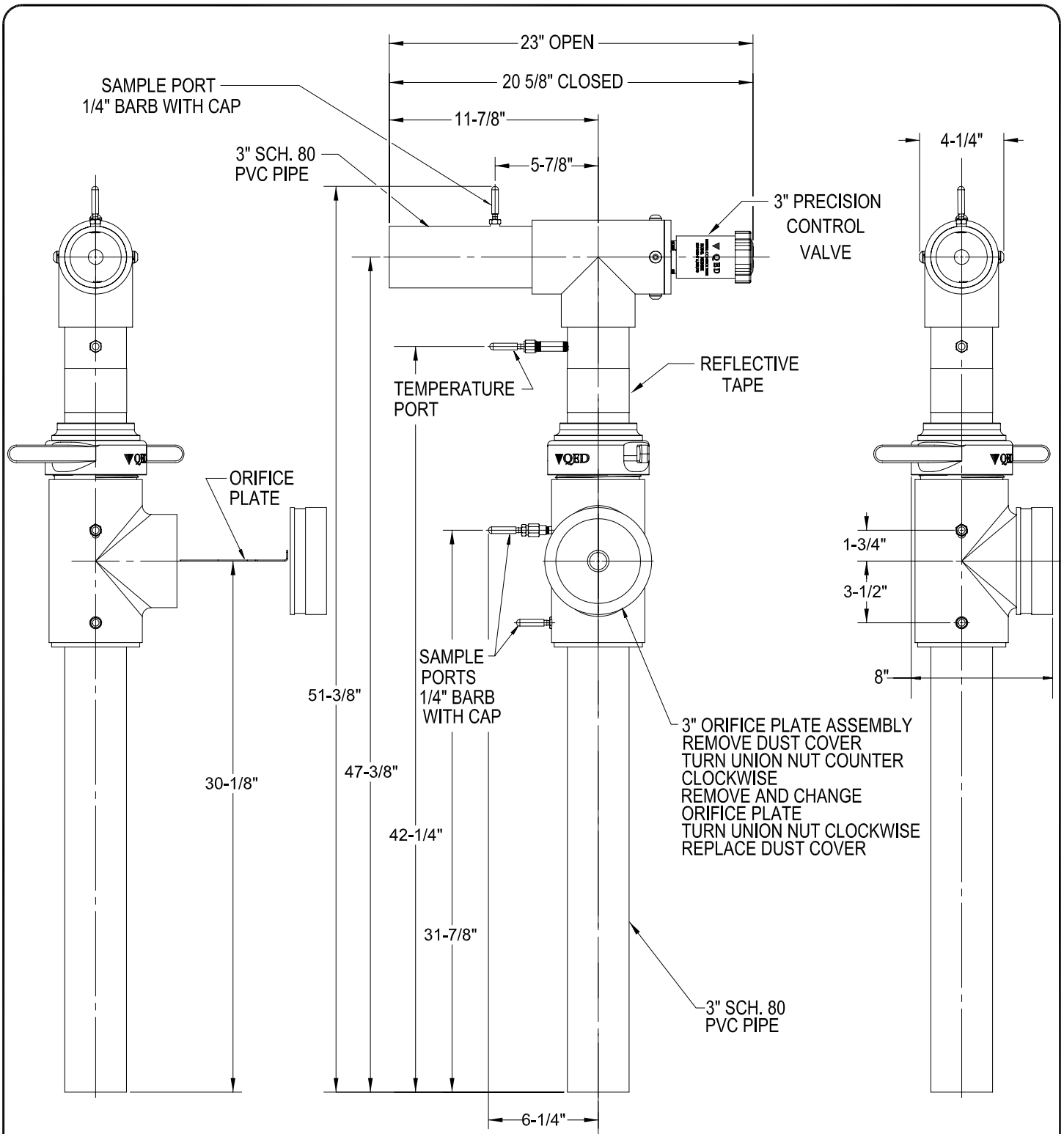


3" QUICK CHANGE ORIFICE PLATE WELLHEAD MODEL ORP315



ORIFICE PLATES NOT INCLUDED
ORIFICE PLATES TO BE SOLD
INDIVIDUALLY OR IN KITS

- 1.25 ϕ
- 1.75 ϕ
- 2.10 ϕ

SCALE 1 = 8

<p style="font-size: 24px; font-weight: bold; margin: 0;">QED</p> <p style="font-weight: bold; margin: 0;">Environmental Systems</p>	734-995-2547	-US HEADQUARTERS	UNLESS OTHERWISE SPECIFIED	APPROVALS	DATE	TITLE	
	734-995-1170	-FAX	FRAC : .xxx : .005	DRAWN	7-30-12	ORP315	
	800-624-2026	-NORTH AMERICA TOLL FREE	.XX : .01	.XXXX : .0005	TONY RAMIREZ	7-30-12	DWG No. 602461
	WWW.QEDENV.COM	-WEB PAGE	MATERIAL	FINISH	LN/BRP	7-30-12	REV 02
			APPROVED	LN/BRP	7-30-12	SCALE 1 = 8	
			SHT 1 OF 1				