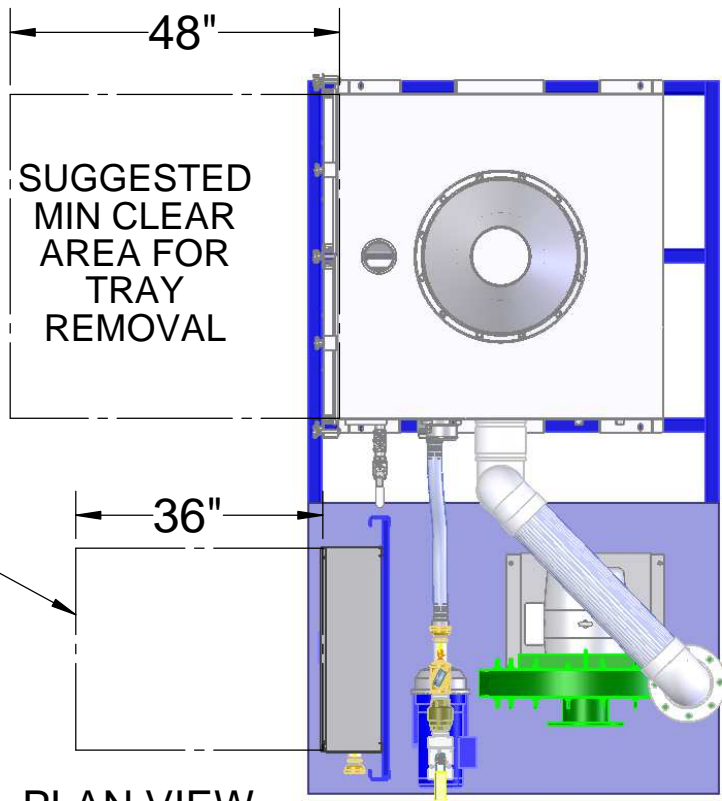


**EZ-16.6SS (AIR STRIPPER ONLY)**

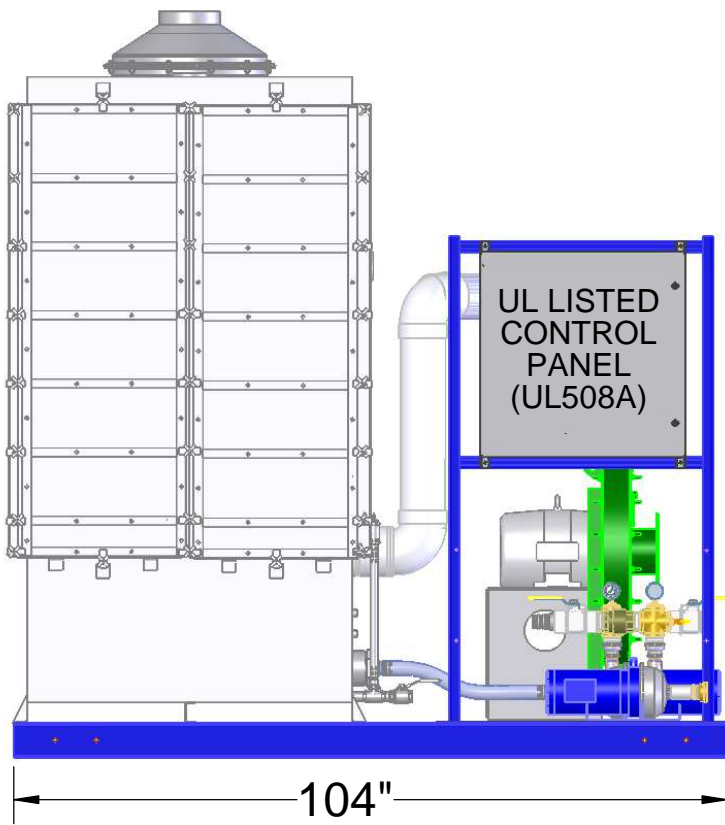
FOR MORE SPECIFICATIONS CLICK ON:

[http://www.qedenv.com/Products/Airstrippers\\_VOC\\_Removal/Air\\_Stripper\\_Specifications/](http://www.qedenv.com/Products/Airstrippers_VOC_Removal/Air_Stripper_Specifications/)

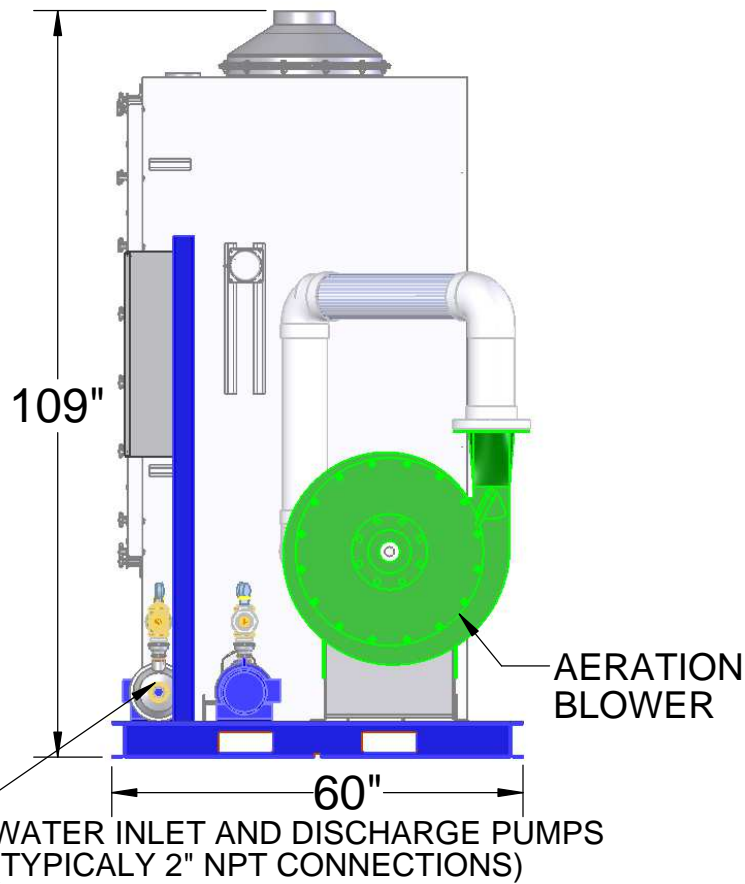
NOT TO SCALE  
 NOT FOR CONSTRUCTION, FOR REFERENCE ONLY



**PLAN VIEW**



**FRONT VIEW**



**SIDE VIEW**

**EZ-16.6SS**

EXAMPLE OF A SKID SYSTEM WITH CONTROL PANEL, PUMPS, AND BLOWER CONTACT QED FOR INFORMATION ON ALL OPTIONS.

NOT TO SCALE

***NOT FOR CONSTRUCTION, FOR REFERENCE ONLY***