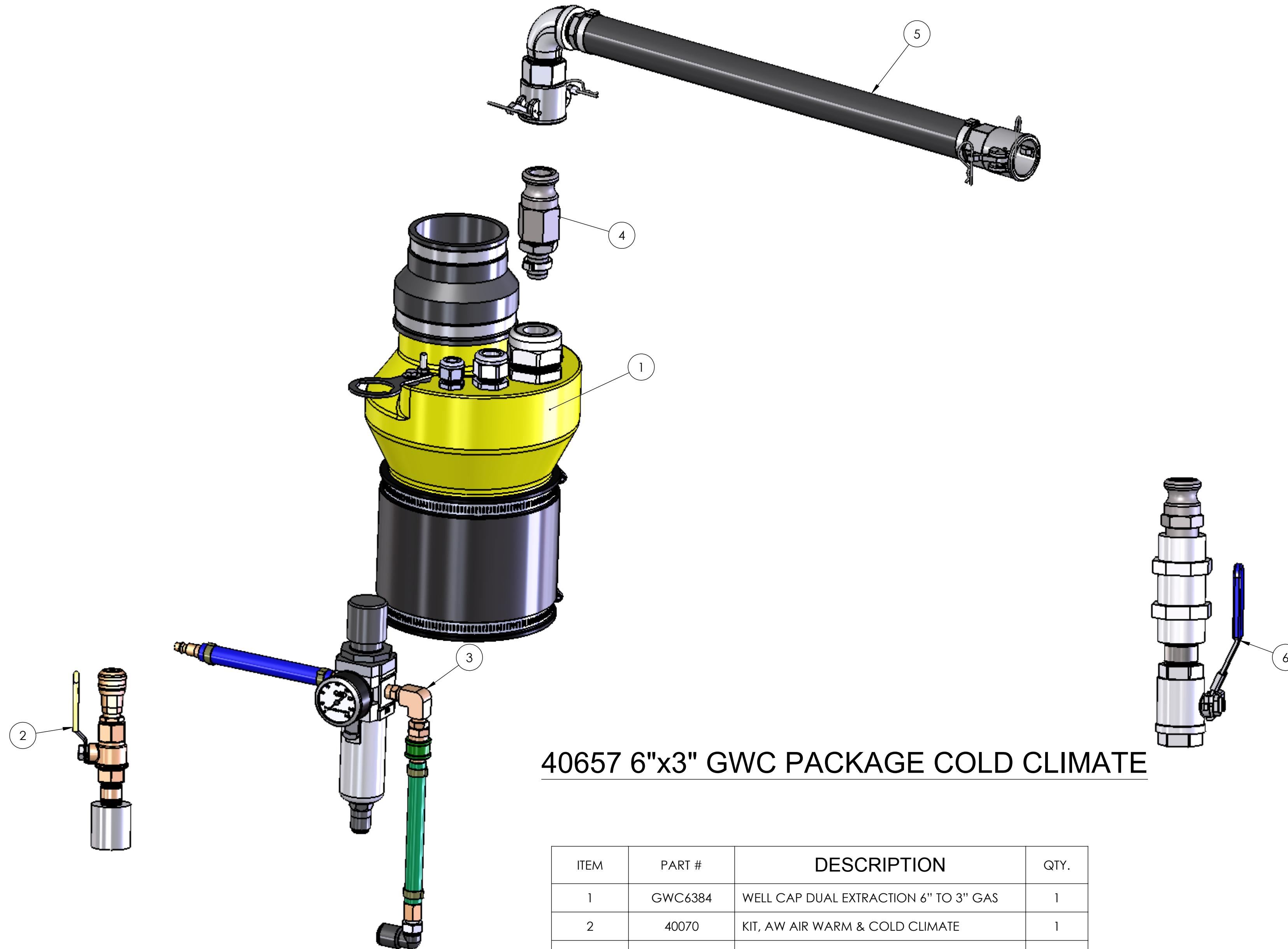


THE INFORMATION CONTAINED IN THIS DRAWING IS THE SOLE PROPERTY OF Q.E.D. ENVIRONMENTAL ANY REPRODUCTION IN PART OR WHOLE WITHOUT THE WRITTEN PERMISSION OF Q.E.D. ENVIRONMENTAL IS PROHIBITED.


REVISIONS

REV.	DESCRIPTION	ECO #	DRAWN BY	CHECKED BY	DATE
-	RELEASED FOR PRODUCTION	3480	TR	LN	06-11-12



40657 6"x3" GWC PACKAGE COLD CLIMATE

ITEM	PART #	DESCRIPTION	QTY.
1	GWC6384	WELL CAP DUAL EXTRACTION 6" TO 3" GAS	1
2	40070	KIT, AW AIR WARM & COLD CLIMATE	1
3	40006	KIT, AIR SUPPLY	1
4	40577	KIT A-ADAPTER 1" TUBE X 1" CAM SS	1
5	40074	KIT, AW DISCHARGE HOSE 1"	1
6	40072	KIT, AW DISCHARGE COLD CLIMATE	1

UNLESS OTHERWISE SPECIFIED, DIMENSIONS ARE IN INCHES AND INCLUDE PLATING REMOVE ALL BURRS	DRAWN BY TR	DATE 06-11-12	 QED Environmental Systems PO BOX 3726 , ANN ARBOR, MI. 48106
	CHECKED BY LN	DATE 06-11-12	
TOLERANCES XX +/- .01 FRACT +/- 1/64 XXX +/- .005 ANGLES +/- 1/2 OTHER TOLERANCES AS SPECIFIED	APPROVED BY DC	DATE 06-11-12	TITLE 6"x3" GWC PACKAGE COLD CLIMATE
	NEXT ASSY -	MATERIAL -	DWG. NO. 40657
USED ON -	FINISH -	SCALE 1:3	REV. - SHEET OF