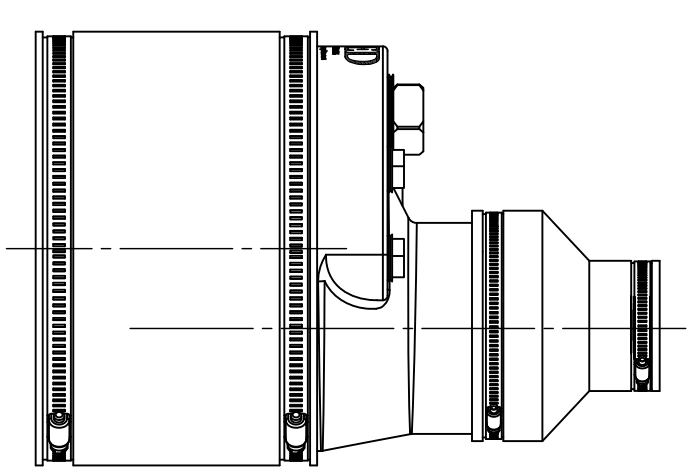
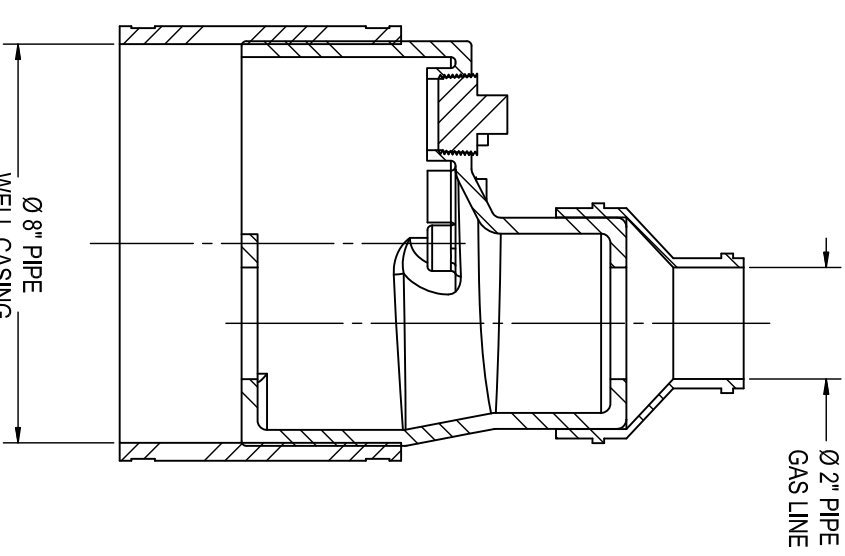
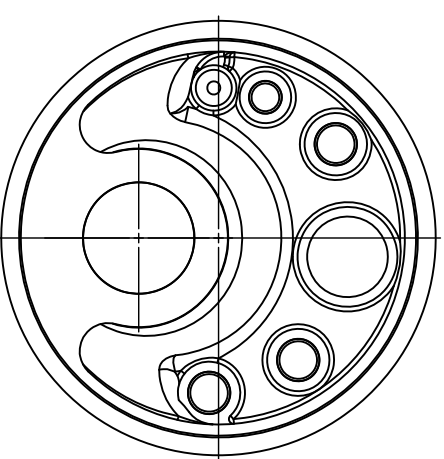
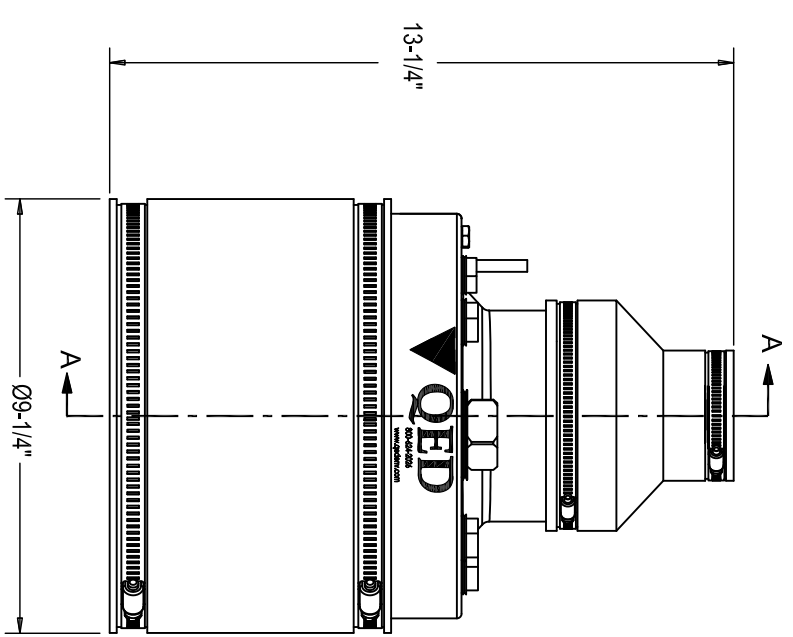
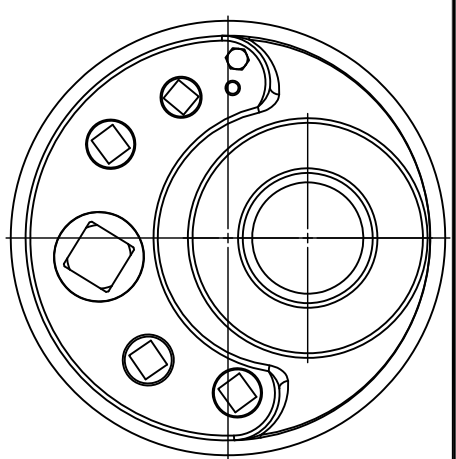


GWC82 LF GAS WELL CAP 8" X 2"



SCALE 1 = 4



734-995-2547 -US HEADQUARTERS
 734-995-1170 -FAX
 800-624-2026 -NORTH AMERICA TOLL FREE
 WWW.QEDENV.COM -WEB PAGE

UNLESS OTHERWISE SPECIFIED		TOLERANCES		APPROVALS		TITLE	
FRAC : °	ANGULAR : 5°	°	°	DRAWN	DATE	GWC82	
.XX : .01	.XXX : .005	.XXX	.0005	TONY RAMIREZ	7-11-12	LF GAS WELL	
MATERIAL		DESIGNER		N/ BP	7-11-12	CAP 8" X 2"	
FINISH		CHECKED		N/ BP	7-11-12	DRAWING No.	602421
		APPROVED		N/ BP	7-11-12	SCALE	NONE
						REV	A
						SHT	OF