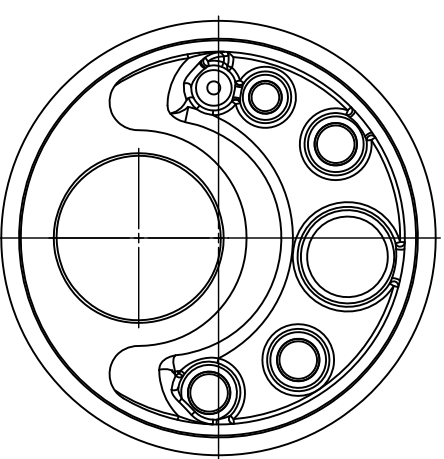
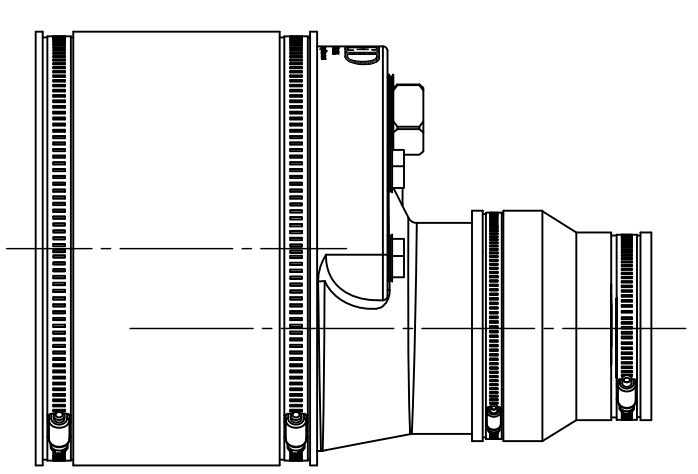
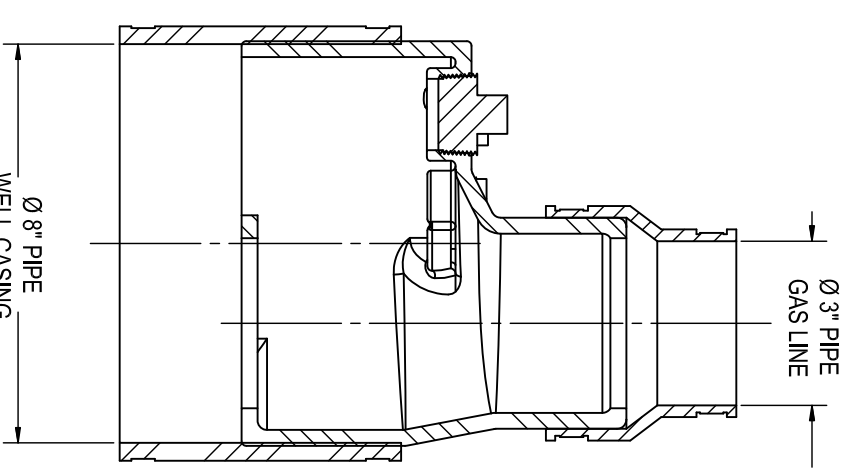
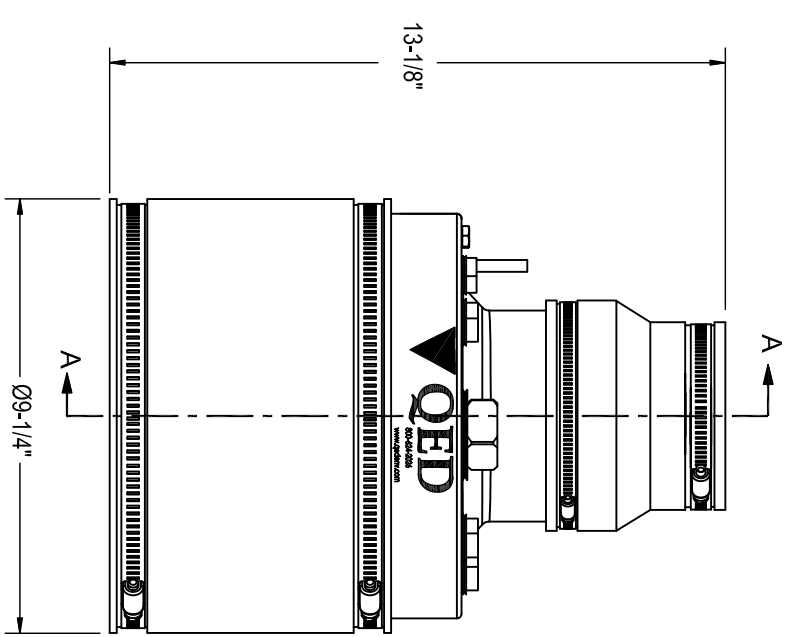
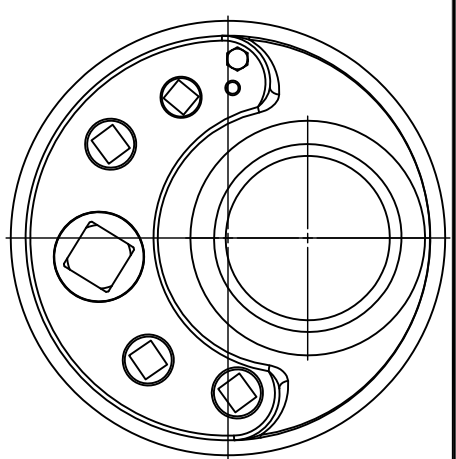


GWC83 LF GAS WELL CAP 8" X 3"



SCALE 1 = 4



734-995-2547 -US HEADQUARTERS
 734-995-1170 -FAX
 800-624-2026 -NORTH AMERICA TOLL FREE
 WWW.QEDENV.COM -WEB PAGE

UNLESS OTHERWISE SPECIFIED		TOLERANCES		TITLE	
FRAC : .XX : .01	ANGULAR : .5°	ANGULAR : .5°	DRAWN TONY RAMIREZ	DATE 7-11-12	GWC82 LF GAS WELL CAP 8" X 3"
MATERIAL	.XXX : .0005	.XXX : .0005	DESIGNER N/BP	7-11-12	
FINISH			CHECKED N/BP	7-11-12	DRAWING No. 602422
			APPROVED N/BP	7-11-12	SCALE NONE
					REV A
					SHT OF