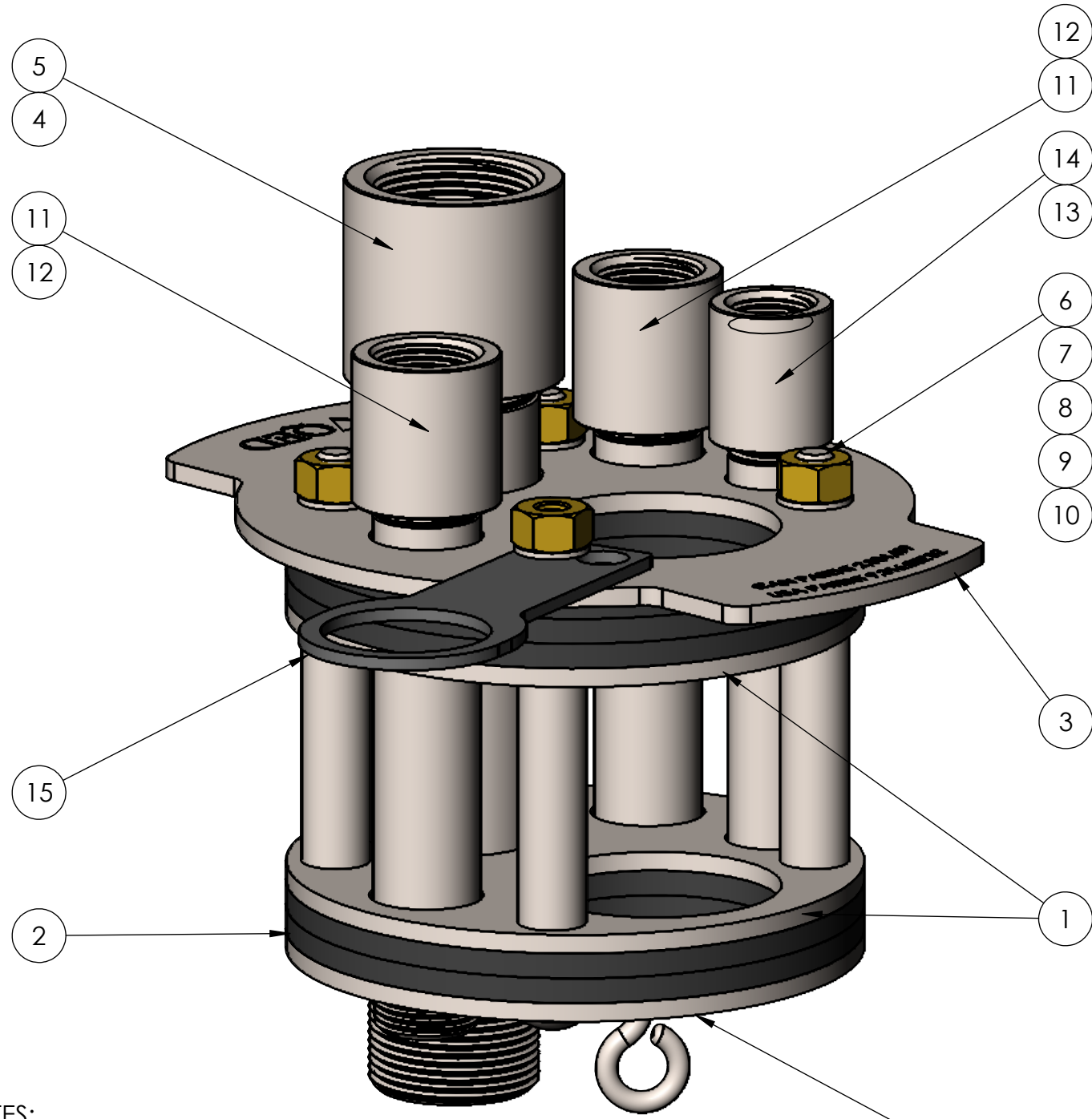



THE INFORMATION CONTAINED IN THIS DRAWING IS THE SOLE PROPERTY OF QED ENVIRONMENTAL ANY REPRODUCTION IN PART OR WHOLE WITHOUT THE WRITTEN PERMISSION OF QED ENVIRONMENTAL IS PROHIBITED.

REVISIONS					
REV.	DESCRIPTION	ECO #	DRAWN BY	CHECKED BY	DATE
-	RELEASED FOR PRODUCTION	3952	TR	-	7/24/2017



- NOTES:
1. TEFLON TAPE ALL PIPE THREADED JOINTS
 2. TIGHTEN THE HEX NUTS DOWN JUST ENOUGH SO THE NIPPLES DO NOT MOVE.
 3. RETAINING WASHER IS PLACED BETWEEN THE BOTTOM PLATE AND THE LOWEST RUBBER GASKET.

ITEM	PART #	DESCRIPTION	QTY.
1	625-5-CP R1	CLAMP PLATE	2
2	625-5-GA R1	SCH 80 OR DR 17 RUBBER GASKET	5
3	625-5-TP R1	6 IN TOP PLATE WITH FOR 2 GAS PIPE	1
4	P-SS40-125-TBE	SCH 40 304 SS 1-1/4" X 6" NIPPLE	1
5	COUP-SS-125	1-1/4in NPT Coupling	1
6	CB38	Carriage Bolt	4
7	RW38	Retaining Washer	4
8	S38	Spacer	4
9	N38	Hex Nut 3/8-16 Brass	4
10	W38	Flat Washer 3/8	4
11	COUP-SS-75	3/4in NPT Coupling	2
12	P-SS40-75-TBE	3/4in NPT-M Port	2
13	P-SS40-50-TBE	1/2in NPT-M Port	1
14	COUP-SS-50	150 LBS 304 SS 1/2" COUPLING	1
15	41406	BRACKET, FILTER/REG. NAW 3000	1
16	41368	ATZ 6" DR-17 AND SCH 80 CAS CLAMP AND SUSPENSION HOOK WELD	1

UNLESS OTHERWISE SPECIFIED, DIMENSIONS ARE IN INCHES AND INCLUDE PLATING REMOVE ALL BURRS	DRAWN BY	DATE	 2355 BISHOP CIRCLE W, DEXTER, MI. 48130
	TR	07-21-17	
	CHECKED BY	DATE	
TOLERANCES XX +/- .01 FRACT +/- 1/64 XXX +/- .005 ANGLES +/- 1/2 OTHER TOLERANCES AS SPECIFIED	APPROVED BY	DATE	TITLE 6" SCH 80 OR DR17 WELL BASE CAP WITH 2 GAS PIPE PORT
	-	-	
NEXT ASSY	-	MATERIAL	DWG. NO. 625-80-BASE
USED ON	-	FINISH	SCALE 3:8 SHEET 1 OF 1 REV. A