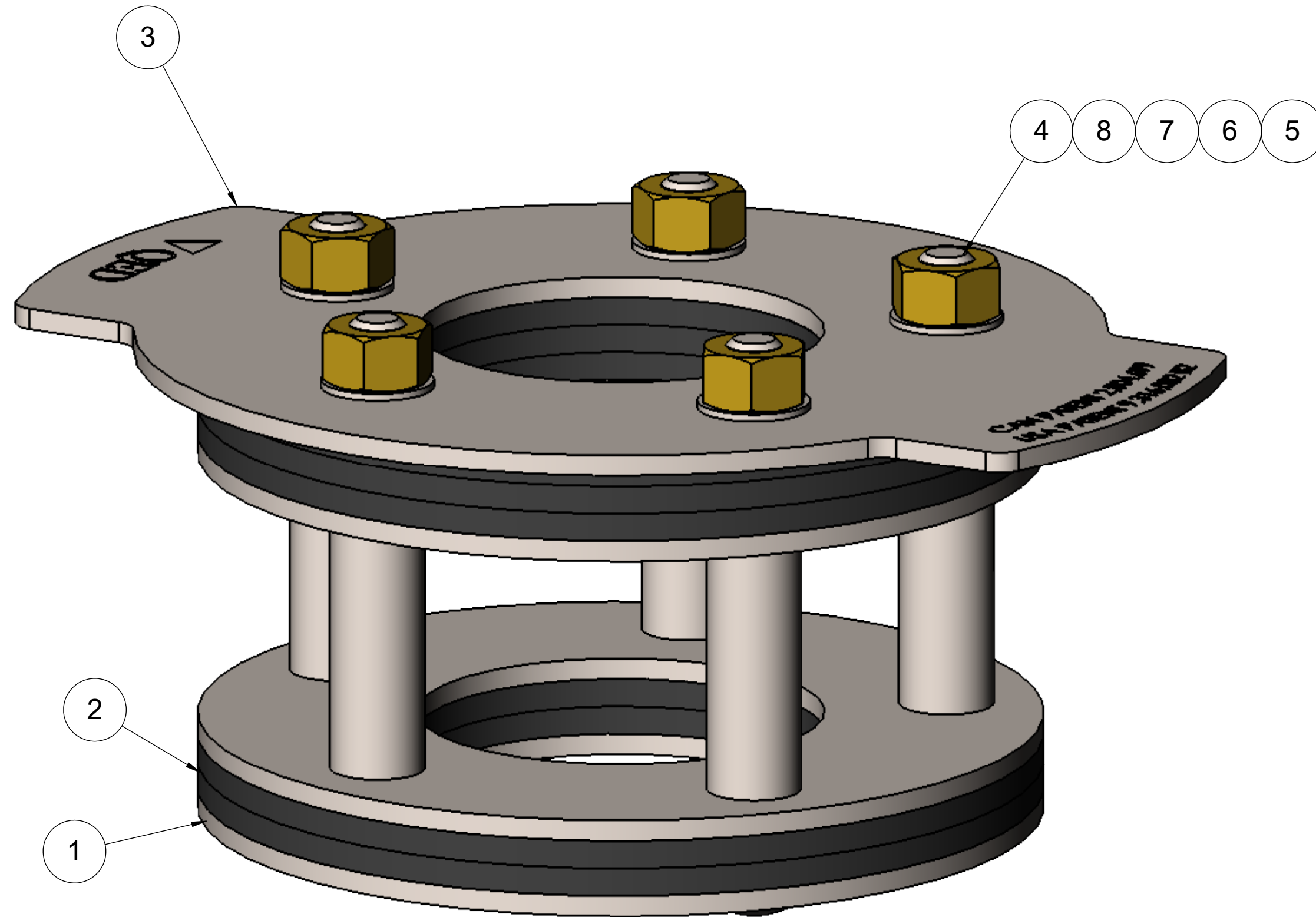


THE INFORMATION CONTAINED IN THIS DRAWING IS THE SOLE PROPERTY OF Q.E.D. ENVIRONMENTAL ANY REPRODUCTION IN PART OR WHOLE WITHOUT THE WRITTEN PERMISSION OF Q.E.D. ENVIRONMENTAL IS PROHIBITED.


REVISIONS					
REV.	DESCRIPTION	ECO #	DRAWN BY	CHECKED BY	DATE
-	INITIAL RELEASE	4050	TR	MTM	2/16/2018



NOTES:

1. TIGHTEN THE HEX NUTS DOWN JUST ENOUGH SO THE PLATES AND GASKETS DO NOT MOVE.
2. RETAINING WASHER IS PLACED BETWEEN THE BOTTOM PLATE AND THE LOWEST RUBBER GASKET.

ITEM	PART #	DESCRIPTION	QTY.
1	831-1-CP	CLAMP PLATE	3
2	831-1-GA	RUBBER GASKET	5
3	831-1-TP	TOP PLATE	1
4	CB50	Carriage Bolt	5
5	RW50	Retaining Washer	5
6	S50	Spacer	5
7	W50	Flat Washer 1/2	5
8	N50	Hex Nut 1/2-13 Brass	5

UNLESS OTHERWISE SPECIFIED, DIMENSIONS ARE IN INCHES AND INCLUDE PLATING REMOVE ALL BURRS	DRAWN BY TR	DATE 3/15/18	 QED Environmental Systems 2355 BISHOP CIRCLE W, DEXTER, MI. 48130
	CHECKED BY MTM	DATE 4/4/18	
TOLERANCES XX +/- .01 FRACT +/- 1/64 XXX +/- .005 ANGLES +/- 1/2 OTHER TOLERANCES AS SPECIFIED	APPROVED BY -	DATE -	TITLE 8" SCH 80 OR DR17 W/3IN GAS PORT WELL SEAL
NEXT ASSY -	MATERIAL SEE BOM	DWG. NO. 831-1-wca	REV. -
USED ON -	FINISH -	SCALE 1:2	SHEET 1 OF 1