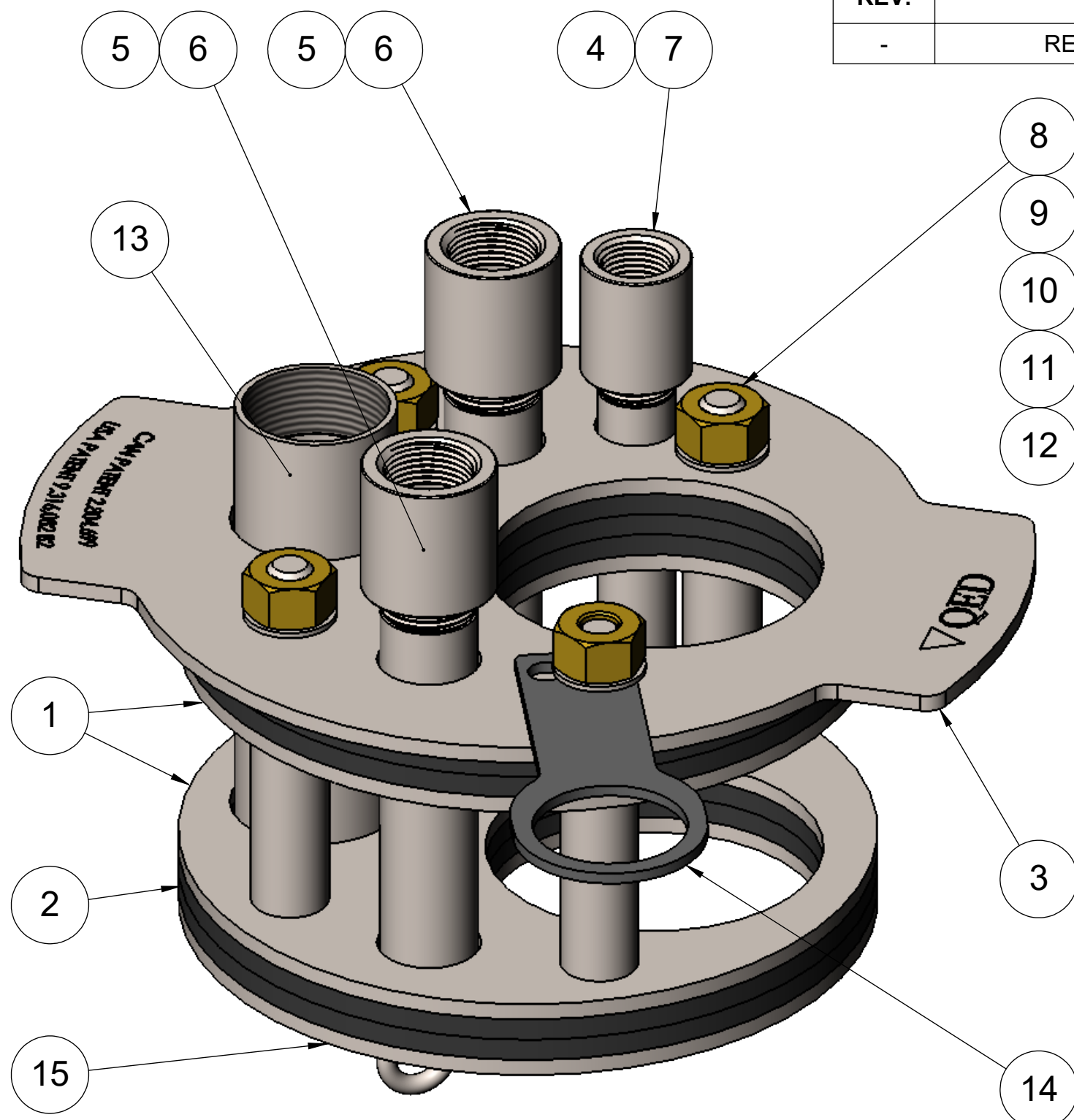


THE INFORMATION CONTAINED IN THIS DRAWING IS THE SOLE PROPERTY OF QED ENVIRONMENTAL. ANY REPRODUCTION IN PART OR WHOLE WITHOUT THE WRITTEN PERMISSION OF QED ENVIRONMENTAL IS PROHIBITED.

REVISIONS


REV.	DESCRIPTION	ECO #	DRAWN BY	CHECKED BY	DATE
-	RELEASED FOR PRODUCTION	3952	TR	-	8/15/2017



ITEM	PART #	DESCRIPTION	QTY.
1	835-2-CP	Clamp Plate	2
2	835-2-GA	835-2-GA 8IN WELL SEAL GASKET	5
3	835-2-TP	835-2-TP 8IN WELL CAP TOP PLATE	1
4	P-SS40-50-TBE	1/2in NPT-M Port	1
5	P-SS40-75-TBE	3/4in NPT-M Port	2
6	COUP-SS-75	3/4in NPT Coupling	2
7	COUP-SS-50	150 LBS 304 SS 1/2" COUPLING	1
8	N50	Hex Nut 1/2-13 Brass	4
9	W50	Flat Washer 1/2	4
10	S50	Spacer	4
11	RW50	Retaining Washer	4
12	CB50	Carriage Bolt	4
13	LET-175-125	Adapter Sleeve-1-1/4 NPT F both ends	1
14	41406	BRACKET, FILTER/REG.	1
15	41416	8" DR17 AND SCH 80 3" GAS CLAMP PLATE AND SUSPENS. HOOK WELD	1

NOTES:

1. TEFLON TAPE ALL PIPE THREADED JOINTS
2. TIGHTEN THE HEX NUTS DOWN JUST ENOUGH SO THE NIPPLES DO NOT MOVE.
3. RETAINING WASHER IS PLACED BETWEEN THE BOTTOM PLATE AND THE LOWEST RUBBER GASKET.

UNLESS OTHERWISE SPECIFIED, DIMENSIONS ARE IN INCHES AND INCLUDE PLATING REMOVE ALL BURRS	DRAWN BY	DATE	
	TR	08-15-17	
TOLERANCES XX +/- .01 FRACT +/- 1/64 XXX +/- .005 ANGLES +/- 1/2 OTHER TOLERANCES AS SPECIFIED	CHECKED BY	DATE	2355 BISHOP CIRCLE W, DEXTER, MI. 48130 TITLE 8" SCH 80 WELL BASE CAP WITH 3" GAS PORT
	-	-	
NEXT ASSY	APPROVED BY	DATE	DWG. NO. 835-80-BASE
	-	-	
USED ON	MATERIAL	FINISH	SCALE 1:4 SHEET 1 OF 1 REV. A
-	-	-	