

THE INFORMATION CONTAINED IN THIS DRAWING IS THE SOLE PROPERTY OF Q.E.D. ENVIRONMENTAL ANY REPRODUCTION IN PART OR WHOLE WITHOUT THE WRITTEN PERMISSION OF Q.E.D. ENVIRONMENTAL IS PROHIBITED.

REVISIONS

REV.	DESCRIPTION	ECO #	DRAWN BY	CHECKED BY	DATE
-	INITIAL RELEASE	3988	TR	MTM	1/15/2018

FLUID DISCHARGE

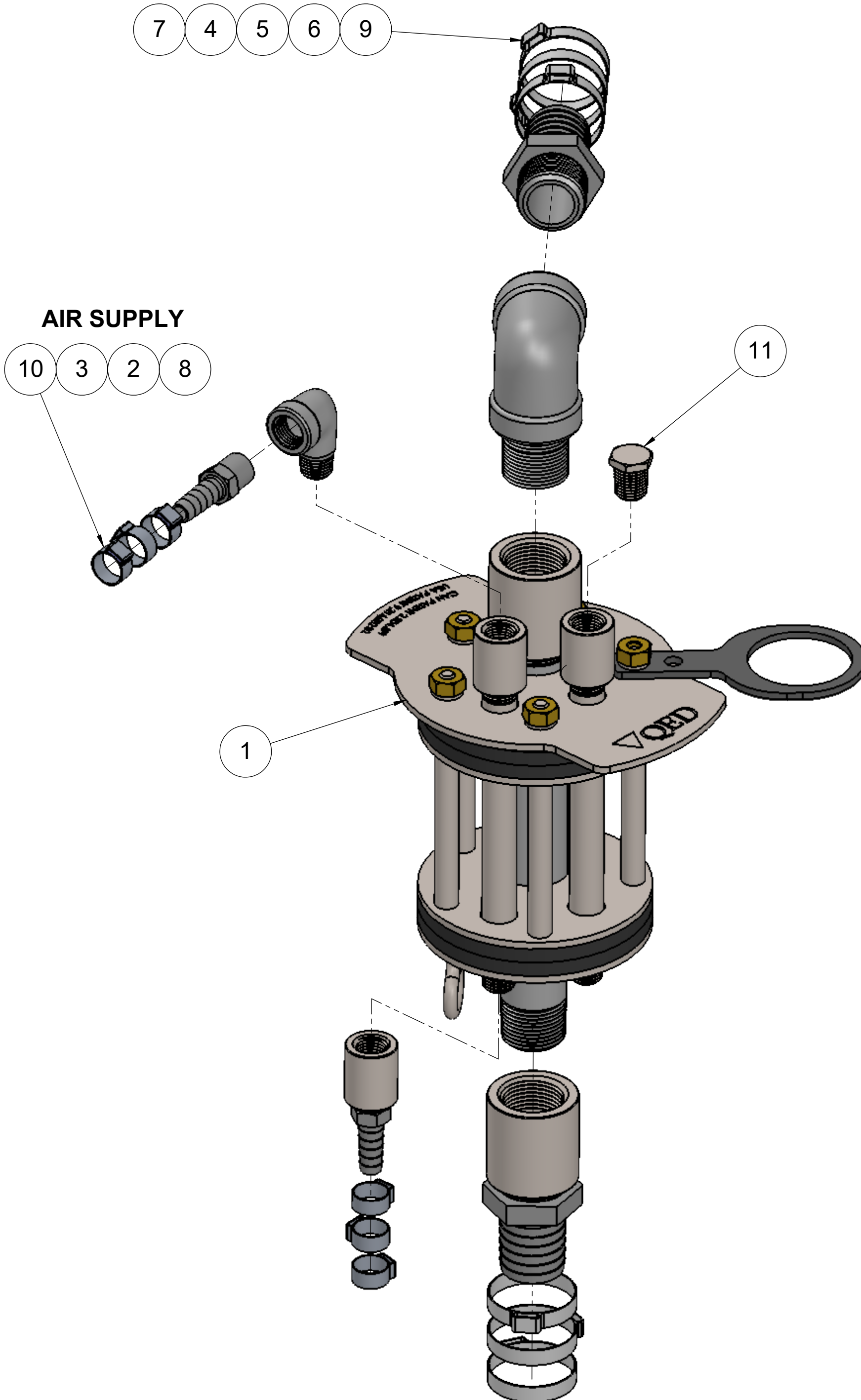
- 7
- 4
- 5
- 6
- 9

AIR SUPPLY

- 10
- 3
- 2
- 8

11

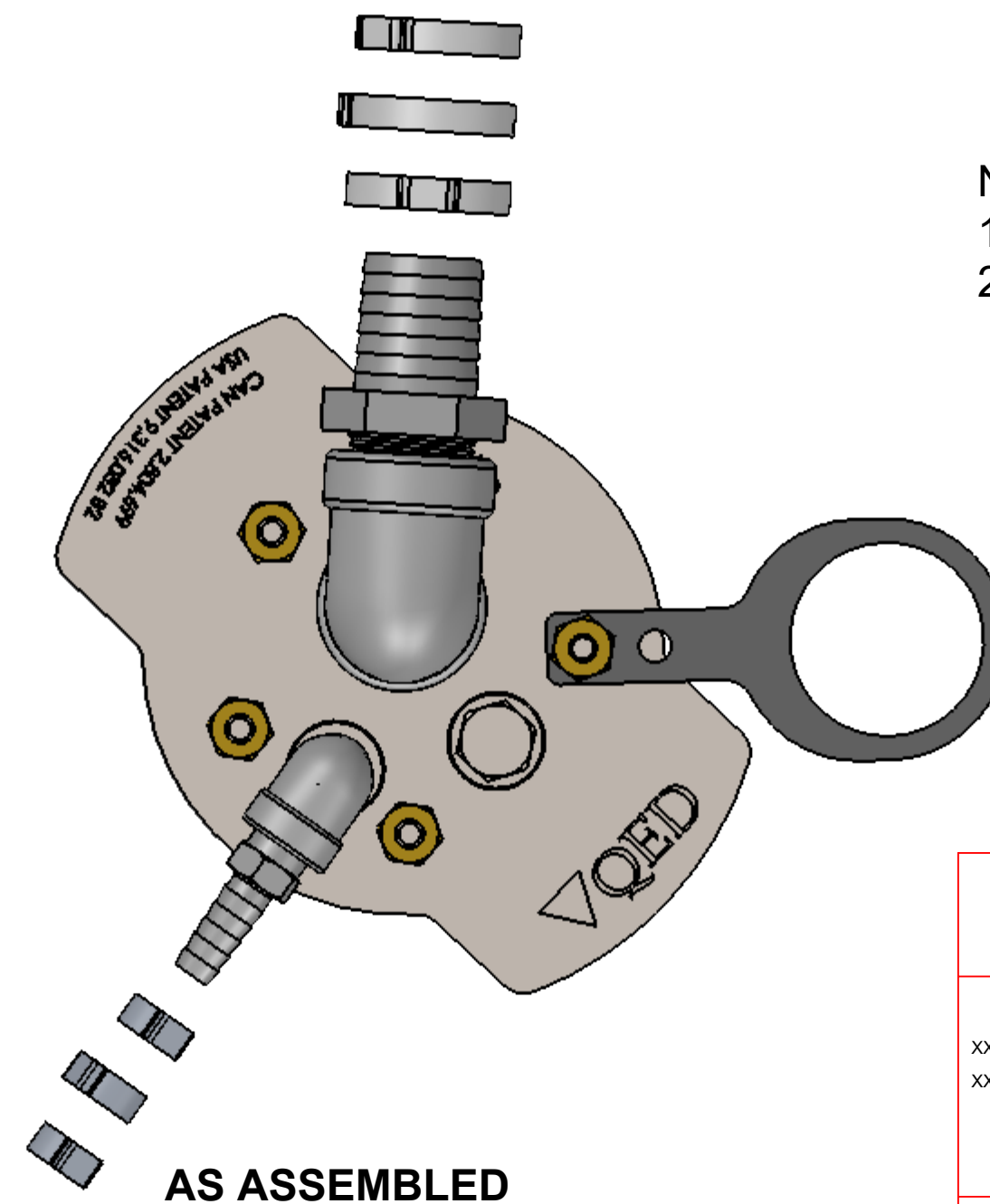
1



ITEM	PART #	DESCRIPTION	QTY.
1	403-80-BASE	4" SCH 80 BASE 3-FTGS FOR APS	1
2	204981	STREET ELBOW 1/4 304 SS	1
3	38875	BARB 3/8" x 1/4" MPT AIR SUPPLY S.S.	2
4	203618	NIPPLE 3/4 MPT CLOSE 316SS	1
5	202925	ELBOW 3/4 304 SS	1
6	205702	BARB 1 H - 1.25 T X 3/4 MPT 316SS	2
7	COUP-SS-75	3/4in NPT Coupling	1
8	COUP-SS-25	1/4" SS FULL COUPLING	1
9	39360	CLAMP 34.6-706RSS 304	6
10	35209	CLAMP 13.8-706R (FOR 1/2" TUBING)	6
11	PLUG-SS-25	PLUG, 1/4 NPT SS	1

NOTE:

1. TEFLON TAPE ALL PIPE THREADED JOINTS.
2. CLAMPS ARE PLACED IN A PLASTIC BAG AND SHIP TOGETHER



UNLESS OTHERWISE SPECIFIED, DIMENSIONS ARE IN INCHES AND INCLUDE PLATING REMOVE ALL BURRS	DRAWN BY	DATE	 <b>QED</b> Environmental Systems 2355 BISHOP CIRCLE W, DEXTER, MI. 48130
	TR	11/30/17	
TOLERANCES XX +/- .01 FRACT +/- 1/64 XXX +/- .005 ANGLES +/- 1/2 OTHER TOLERANCES AS SPECIFIED	CHECKED BY	DATE	TITLE <b>WELL SEAL, 4" 3-PORT FOR APS, W/ 1-1/4, 1/2 &amp; 5/8 OD T BS E. IN</b>
	MTM	3/9/18	
NEXT ASSY -	APPROVED BY	DATE	DWG. NO. AP304007
USED ON -	-	-	SCALE 1:8
MATERIAL -	FINISH -		SHEET 1 OF 1