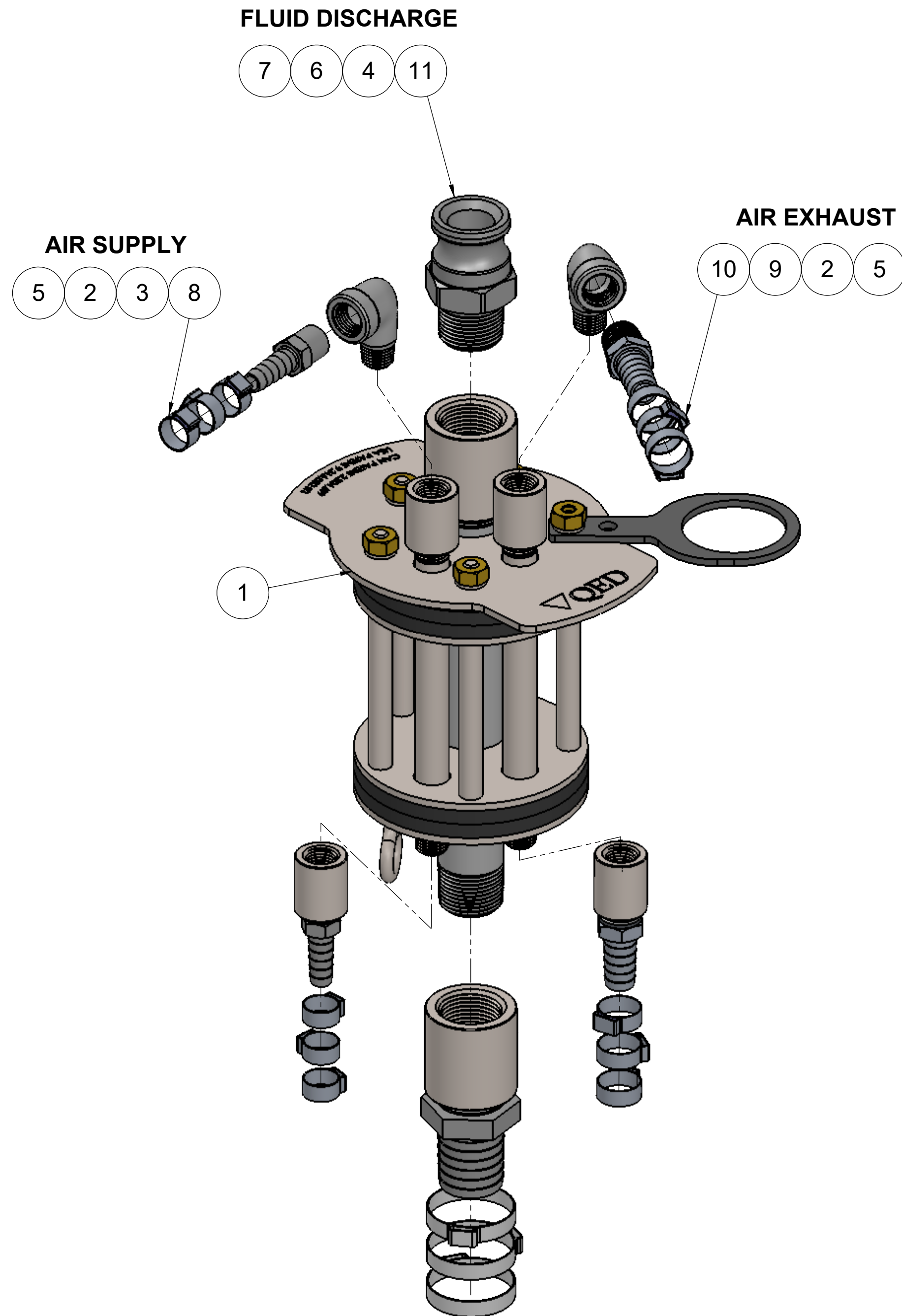


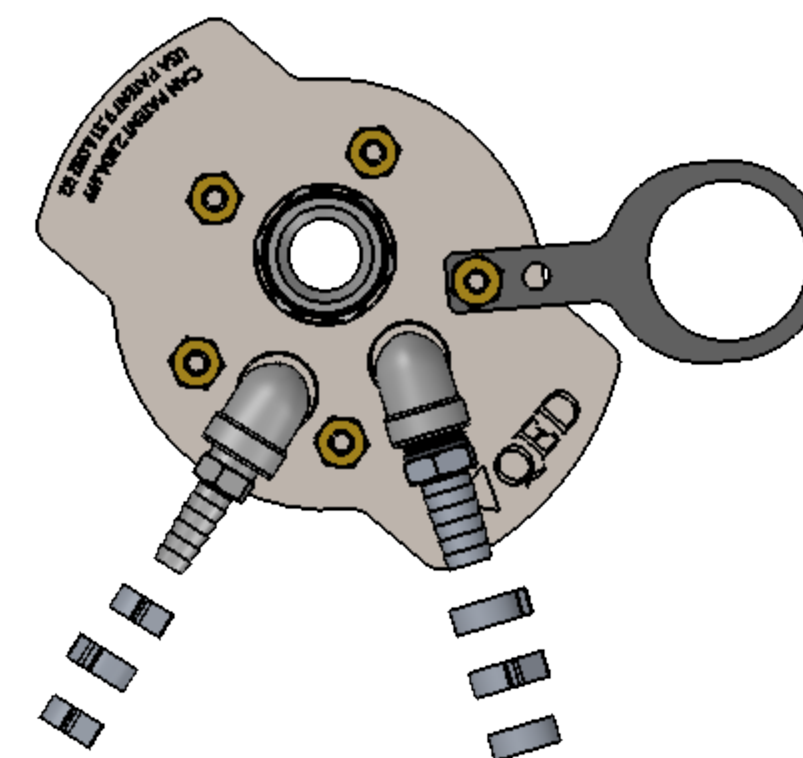
THE INFORMATION CONTAINED IN THIS DRAWING IS THE SOLE PROPERTY OF Q.E.D. ENVIRONMENTAL ANY REPRODUCTION IN PART OR WHOLE WITHOUT THE WRITTEN PERMISSION OF Q.E.D. ENVIRONMENTAL IS PROHIBITED.

REVISIONS

REV.	DESCRIPTION	ECO #	DRAWN BY	CHECKED BY	DATE
-	INITIAL RELEASE	3988	TR	-	1/16/2018
A	ITEM #11 WAS NYLON CAMSOCKET TYPE, NIPPLE AND ELBOW FOR THAT PORT REMOVED	4241	TR	-	8/15/2018




ITEM	PART #	DESCRIPTION	QTY.	
1	403-80-BASE	4" SCH 80 BASE 3-FTGS FOR APS	1	
2	204981	STREET ELBOW 1/4 304 SS	2	
3	38875	BARB 3/8" x 1/4" MPT AIR SUPPLY S.S.	2	
4	COUP-SS-75	3/4in NPT Coupling	1	
5	COUP-SS-25	1/4" SS FULL COUPLING	2	
6	205702	BARB 1 H - 1.25 T X 3/4 MPT 316SS	1	
7	39360	CLAMP, 1-EAR FOR 1-1/4" TUBING	3	
8	35209	CLAMP 13.8-706R (FOR 1/2" TUBING)	6	
9	205590	BARB 1/2" x 3/8" MPT SS	2	
10	38934	CLAMP 17.0-706R (FOR 5/8" TUBING)	6	
A	11	41454	ADAPTER, 3/4" MPT "F" TYPE CAM LOCK SS	1



AS ASSEMBLED

NOTE:

1. TEFLON TAPE ALL PIPE THREADED JOINTS.
2. CLAMPS ARE PLACED IN A PLASTIC BAG AND SHIP TOGETHER

UNLESS OTHERWISE SPECIFIED, DIMENSIONS ARE IN INCHES AND INCLUDE PLATING REMOVE ALL BURRS	DRAWN BY TR	DATE 01-16-18	 2355 BISHOP CIRCLE W, DEXTER, MI. 48130
	CHECKED BY -	DATE -	
TOLERANCES XX +/- .01 FRACT +/- 1/64 XXX +/- .005 ANGLES +/- 1/2 OTHER TOLERANCES AS SPECIFIED	APPROVED BY -	DATE -	TITLE WELL SEAL, 4" 3-PORT FOR APS, W/3/4 CAMP. 1-1/4, 1/2 & 5/8 OD T. B.
	NEXT ASSY -	MATERIAL -	DWG. NO. AP304013
USED ON -	FINISH -	SCALE 1:4	REV. A SHEET 1 OF 1