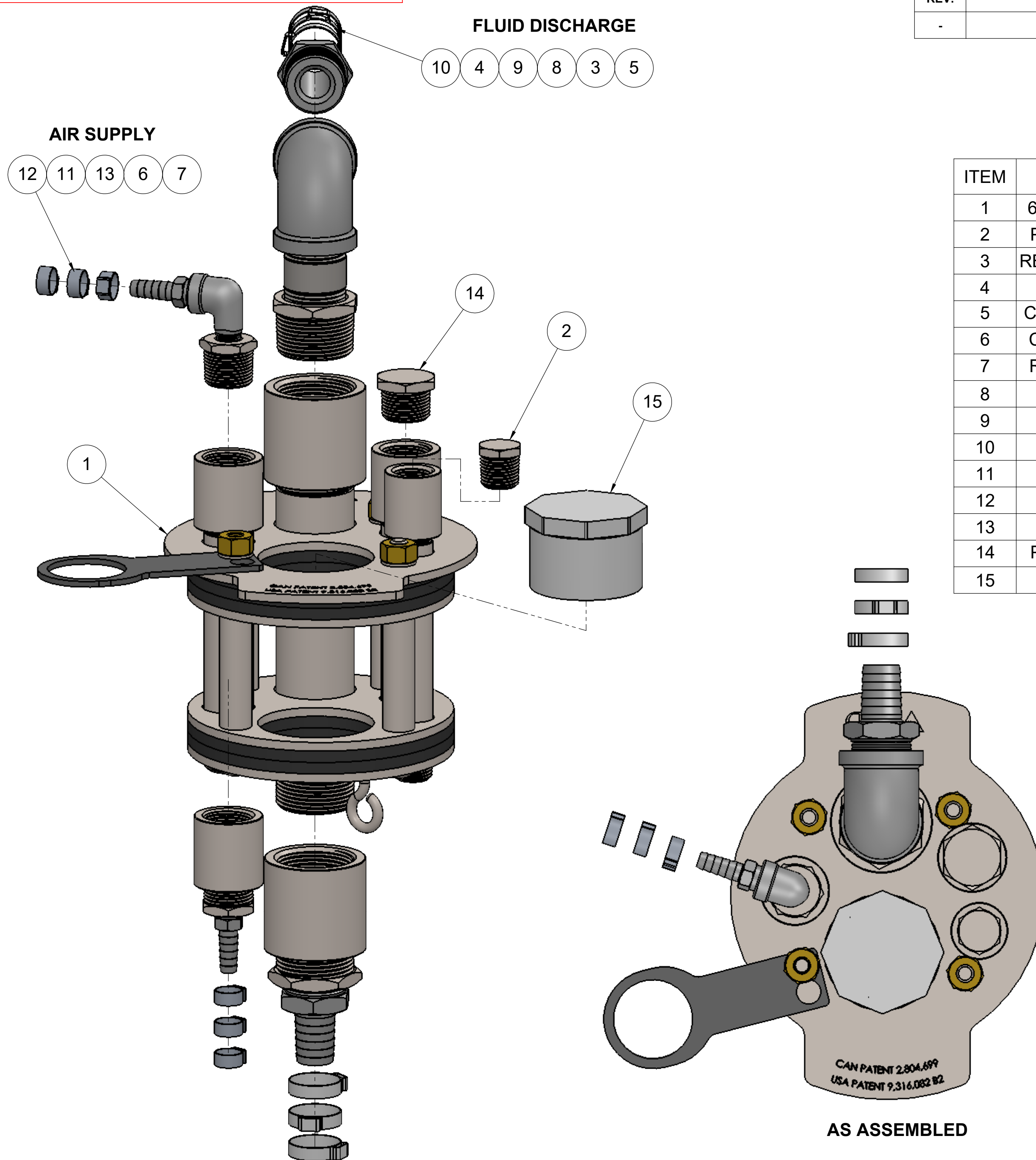


THE INFORMATION CONTAINED IN THIS DRAWING IS THE SOLE PROPERTY OF Q.E.D. ENVIRONMENTAL ANY REPRODUCTION IN PART OR WHOLE WITHOUT THE WRITTEN PERMISSION OF Q.E.D. ENVIRONMENTAL IS PROHIBITED.

REVISIONS


REV.	DESCRIPTION	ECO #	DRAWN BY	CHECKED BY	DATE
-	INITIAL RELEASE	4020	TR	MTM	1/24/2018



ITEM	PART #	DESCRIPTION	QTY.
1	625-80-BASE	6" SCH 80 OR DR17 WELL BASE CAP	1
2	PLUG-SS-50	1/2 IN NPT-M PLUG	1
3	RB-SS-125-100	REDUCING BUSHING 1-1/4 X 1 304SS	2
4	38879	BARB 13/16" x 1" MPT S.S.	2
5	COUP-SS-125	1-1/4in NPT Coupling	1
6	COUP-SS-75	3/4in NPT Coupling	1
7	RB-SS-75-25	3/4 to 1/4in Bushing	2
8	810083	NIPPLE 1" X 2" LG	1
9	37092	ELBOW 1 FPT 304SS	1
10	36165	CLAMP, 1-EAR FOR 1" TUBING	6
11	38875	BARB 3/8" x 1/4" MPT AIR SUPPLY S.S.	2
12	35209	CLAMP 13.8-706R (FOR 1/2" TUBING)	6
13	204981	STREET ELBOW 1/4 304 SS	1
14	PLUG-SS-75	3/4in NPT-M Plug	1
15	204372	PLUG 2" SPG SCH 40 PVC	1

NOTE:

1. TEFLON TAPE ALL PIPE THREADED JOINTS.
2. CLAMPS ARE PLACED IN A PLASTIC BAG AND SHIP TOGETHER

UNLESS OTHERWISE SPECIFIED, DIMENSIONS ARE IN INCHES AND INCLUDE PLATING REMOVE ALL BURRS	DRAWN BY TR	DATE 01-24-18	 2355 BISHOP CIRCLE W, DEXTER, MI. 48130
	CHECKED BY MTM	DATE 3/9/18	
TOLERANCES XX +/- .01 FRACT +/- 1/64 XXX +/- .005 ANGLES +/- 1/2 OTHER TOLERANCES AS SPECIFIED	APPROVED BY -	DATE -	TITLE WELL SEAL 6" 5-PORT FOR APS W/1" & 1/2" OD T BS EXH I
NEXT ASSY -	MATERIAL -	DWG. NO. AP306203	REV. -
USED ON -	FINISH -	SCALE 1:4	SHEET 1 OF 1