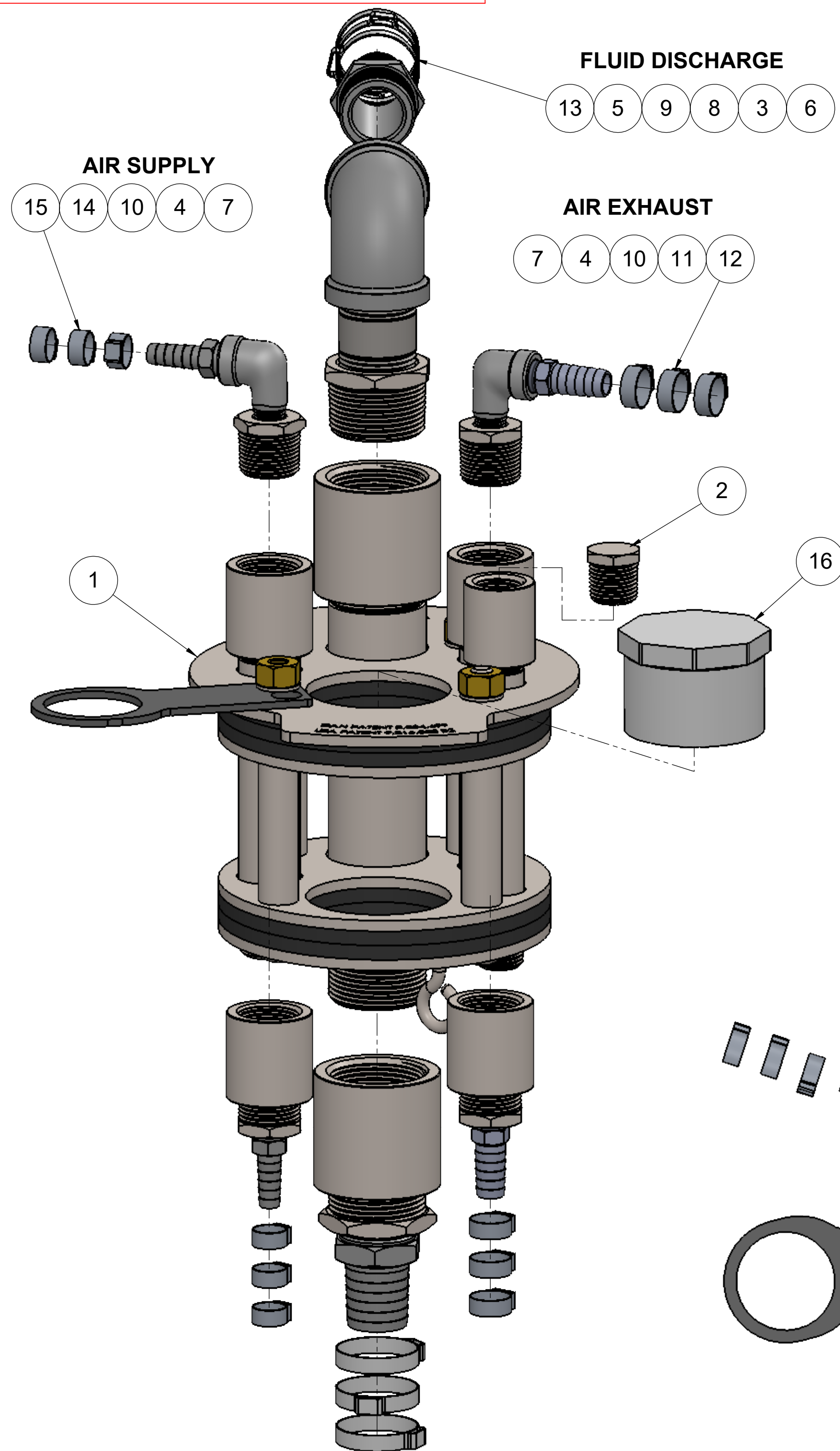


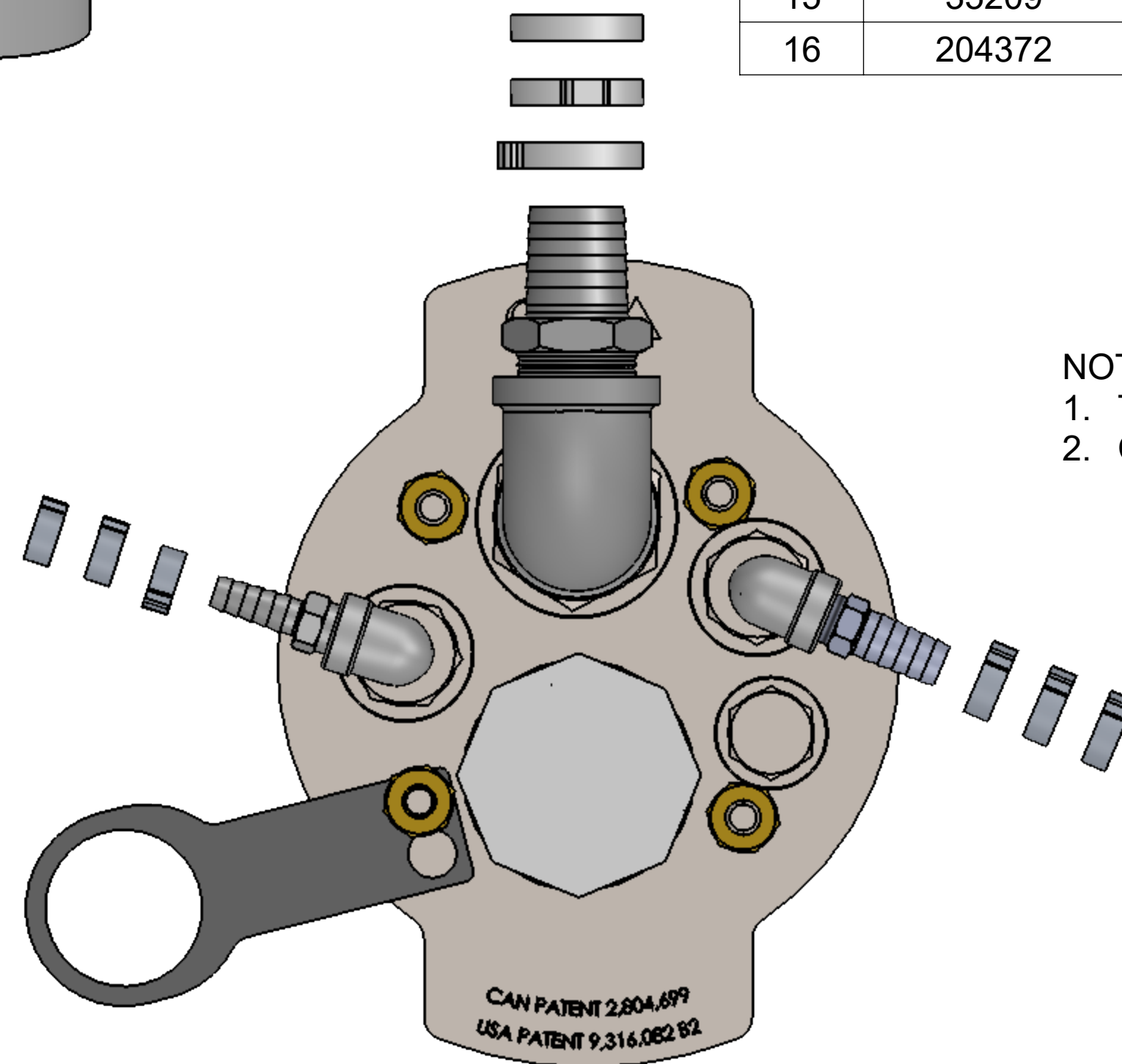
THE INFORMATION CONTAINED IN THIS DRAWING IS THE SOLE PROPERTY OF Q.E.D. ENVIRONMENTAL ANY REPRODUCTION IN PART OR WHOLE WITHOUT THE WRITTEN PERMISSION OF Q.E.D. ENVIRONMENTAL IS PROHIBITED.

REVISIONS

| REV. | DESCRIPTION      | ECO # | DRAWN BY | CHECKED BY | DATE      |
|------|------------------|-------|----------|------------|-----------|
| -    | INITIAL RELEASED | 4020  | TR       | MTM        | 1/24/2018 |




| ITEM | PART #        | DESCRIPTION                          | QTY. |
|------|---------------|--------------------------------------|------|
| 1    | 625-80-BASE   | 6" SCH 80 OR DR17 WELL BASE CAP      | 1    |
| 2    | PLUG-SS-50    | 1/2 IN NPT-M PLUG                    | 1    |
| 3    | RB-SS-125-100 | REDUCING BUSHING 1-1/4 X 1 304SS     | 2    |
| 4    | RB-SS-75-25   | 3/4 to 1/4in Bushing                 | 4    |
| 5    | 205583        | BARB 1" x 1" MPT S.S.                | 2    |
| 6    | COUP-SS-125   | 1-1/4in NPT Coupling                 | 1    |
| 7    | COUP-SS-75    | 3/4in NPT Coupling                   | 2    |
| 8    | 810083        | NIPPLE 1" X 2" LG                    | 1    |
| 9    | 37092         | ELBOW 1 FPT 304SS                    | 1    |
| 10   | 204981        | STREET ELBOW 1/4 304 SS              | 2    |
| 11   | 38874         | BARB 1/2" x 1/4" MPT EXHAUST S.S.    | 2    |
| 12   | 38934         | CLAMP 17.0-706R (FOR 5/8" TUBING)    | 6    |
| 13   | 39360         | CLAMP, 1-EAR FOR 1-1/4" TUBING       | 6    |
| 14   | 38875         | BARB 3/8" x 1/4" MPT AIR SUPPLY S.S. | 2    |
| 15   | 35209         | CLAMP 13.8-706R (FOR 1/2" TUBING)    | 6    |
| 16   | 204372        | PLUG 2" SPG SCH 40 PVC               | 1    |



AS ASSEMBLED

NOTE:

1. TEFLON TAPE ALL PIPE THREADED JOINTS.
2. CLAMPS ARE PLACED IN A PLASTIC BAG AND SHIP TOGETHER

|   |                          |                         |  |
|---|--------------------------|-------------------------|--|
| UNLESS OTHERWISE SPECIFIED, DIMENSIONS ARE IN INCHES AND INCLUDE PLATING REMOVE ALL BURRS               | DRAWN BY<br><b>TR</b>    | DATE<br><b>01-24-18</b> | <br>2355 BISHOP CIRCLE W, DEXTER, MI. 48130 |
|   | CHECKED BY<br><b>MTM</b> | DATE<br><b>3/9/18</b>   |  |
| TOLERANCES<br>XX +/- .01 FRACT +/- 1/64<br>XXX +/- .005 ANGLES +/- 1/2<br>OTHER TOLERANCES AS SPECIFIED | APPROVED BY<br>-         | DATE<br>-               | TITLE<br><b>WELL SEAL 6" 5-PORT FOR APS W/1-1/4". 1/2" &amp; 5/8" OD T BS EXH O</b>  |
| NEXT ASSY -   | MATERIAL -               | DWG. NO. AP306205       | REV. -   |
| USED ON -   | FINISH -                 | SCALE 1:4               | SHEET 1 OF 1   |