

THE INFORMATION CONTAINED IN THIS DRAWING IS THE SOLE PROPERTY OF Q.E.D. ENVIRONMENTAL ANY REPRODUCTION IN PART OR WHOLE WITHOUT THE WRITTEN PERMISSION OF Q.E.D. ENVIRONMENTAL IS PROHIBITED.

REVISIONS

REV.	DESCRIPTION	ECO #	DRAWN BY	CHECKED BY	DATE
-	INITIAL RELEASE	4026	TR	-	1/30/2018
A	ITEM #16 WAS NYLON CAMSOCKET TYPE, NIPPLE AND ELBOW FOR THAT PORT REMOVED	4241	TR	-	8/14/2018

FLUID DISCHARGE

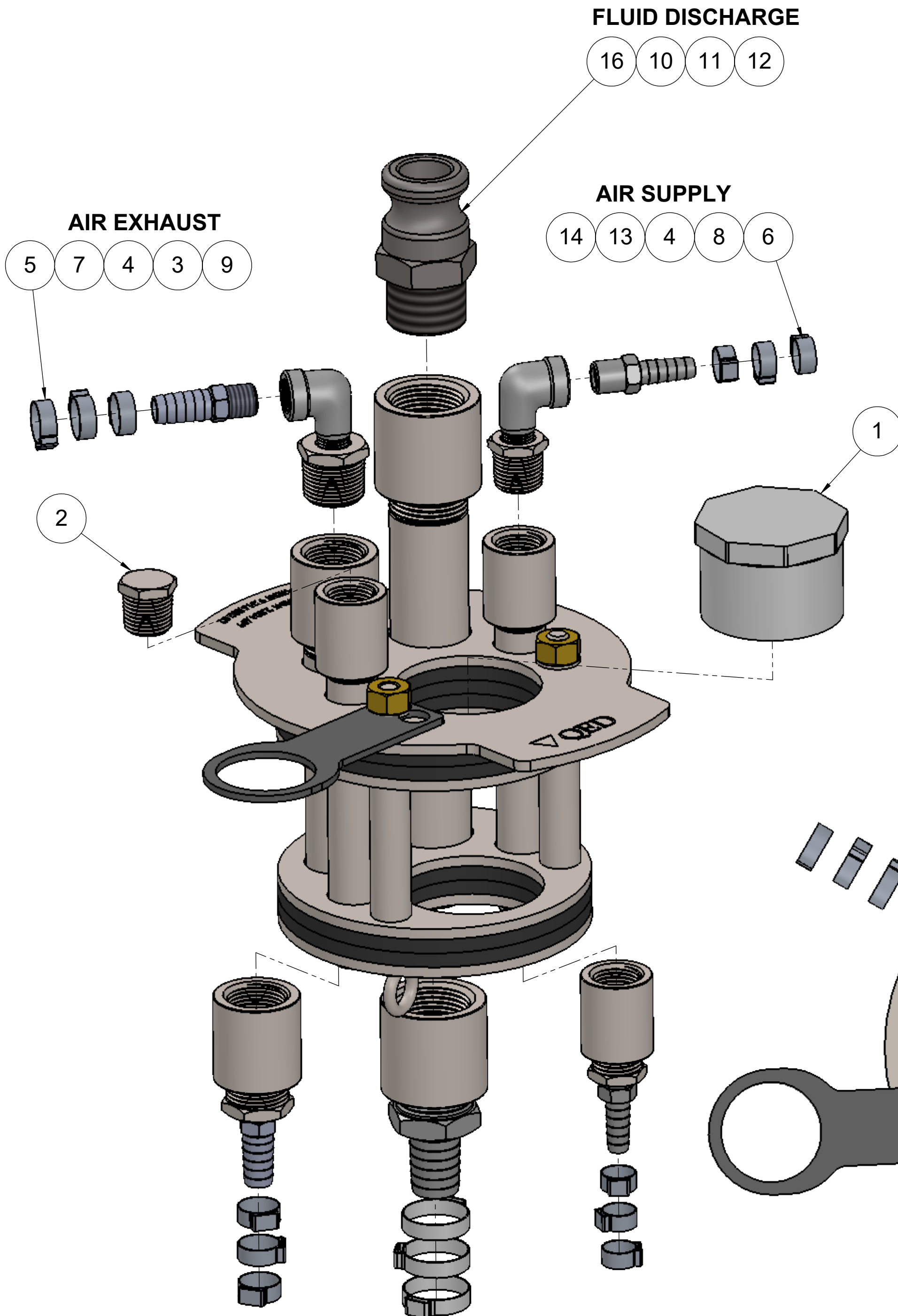
- 16
- 10
- 11
- 12

AIR SUPPLY

- 14
- 13
- 4
- 8
- 6

AIR EXHAUST

- 5
- 7
- 4
- 3
- 9




ITEM	PART #	DESCRIPTION	QTY.
1	204372	PLUG 2" SPG SCH 40 PVC	1
2	PLUG-SS-50	1/2 IN NPT-M PLUG	1
3	RB-SS-75-25	3/4 to 1/4in Bushing	2
4	204981	STREET ELBOW 1/4 304 SS	2
5	38934	CLAMP 17.0-706R (FOR 5/8" TUBING)	6
6	35209	CLAMP 13.8-706R (FOR 1/2" TUBING)	6
7	38874	BARB 1/2" x 1/4" MPT EXHAUST S.S.	2
8	38875	BARB 3/8" x 1/4" MPT AIR SUPPLY S.S.	2
9	COUP-SS-75	3/4in NPT Coupling	1
10	COUP-SS-100	1in NPT Coupling	1
11	38879	BARB 13/16" x 1" MPT S.S.	1
12	36165	CLAMP, 1-EAR FOR 1" TUBING	3
13	RB-SS-50-25	1/2 TO 1/4 SS BUSHING	2
14	COUP-SS-50	150 LBS 304 SS 1/2" COUPLING	1
15	625-DR11-BASE	6" DR11 WELL BASE CAP	1
16	40090	ADAPTER, 1" MPT "F" TYPE CAM LOCK SS	1

A

NOTE:

1. TEFLON TAPE ALL PIPE THREADED JOINTS.
2. CLAMPS ARE PLACED IN A PLASTIC BAG AND SHIP TOGETHER

AS ASSEMBLED

UNLESS OTHERWISE SPECIFIED, DIMENSIONS ARE IN INCHES AND INCLUDE PLATING REMOVE ALL BURRS	DRAWN BY	DATE	 2355 BISHOP CIRCLE W, DEXTER, MI. 48130
	TR	01-30-18	
TOLERANCES XX +/- .01 FRACT +/- 1/64 XXX +/- .005 ANGLES +/- 1/2 OTHER TOLERANCES AS SPECIFIED	CHECKED BY	DATE	TITLE WELL SEAL 6" 5-PORT FOR APS W/1 CAMLCK TOP 1 B ON BOTT 5/8 & 1/2 T BS TOP & BOTT
	-	-	
NEXT ASSY -	MATERIAL -	DATE	DWG. NO. AP306210 SCALE 1:4 SHEET 1 OF 1
USED ON -	FINISH -	-	