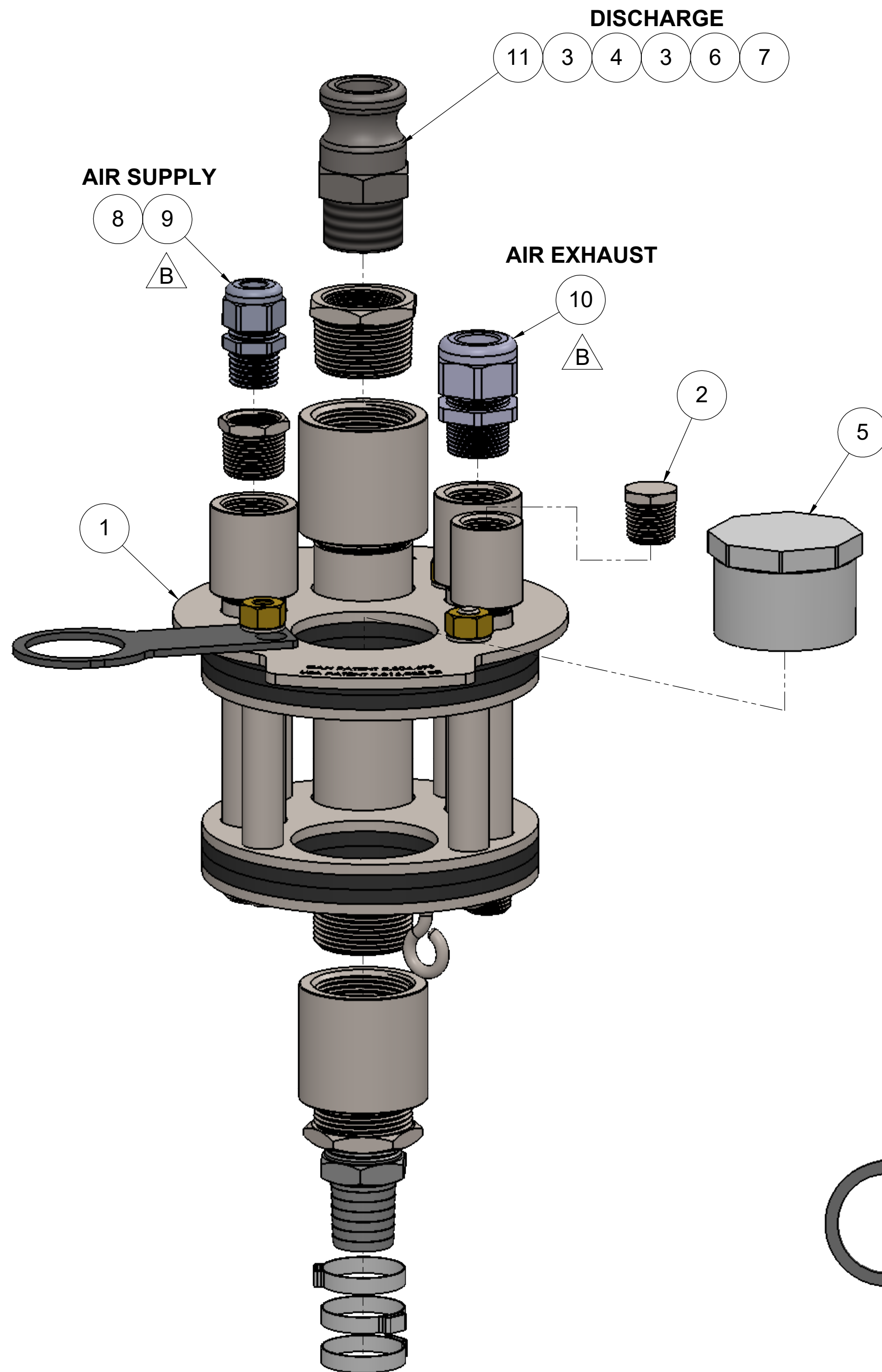


THE INFORMATION CONTAINED IN THIS DRAWING IS THE SOLE PROPERTY OF Q.E.D. ENVIRONMENTAL ANY REPRODUCTION IN PART OR WHOLE WITHOUT THE WRITTEN PERMISSION OF Q.E.D. ENVIRONMENTAL IS PROHIBITED.

REVISIONS

REV.	DESCRIPTION	ECO #	DRAWN BY	CHECKED BY	DATE
-	INITIAL RELEASE	4020	TR	-	1/25/2018
A	ITEM #11 WAS NYLON SOCKET TYPE, NIPPLE AND ELBOW FOR THAT PORT REMOVED		TR	-	8/14/2018
B	39227 WAS 202868, 39226 WAS 203430	4311	MTM	-	10/24/2018

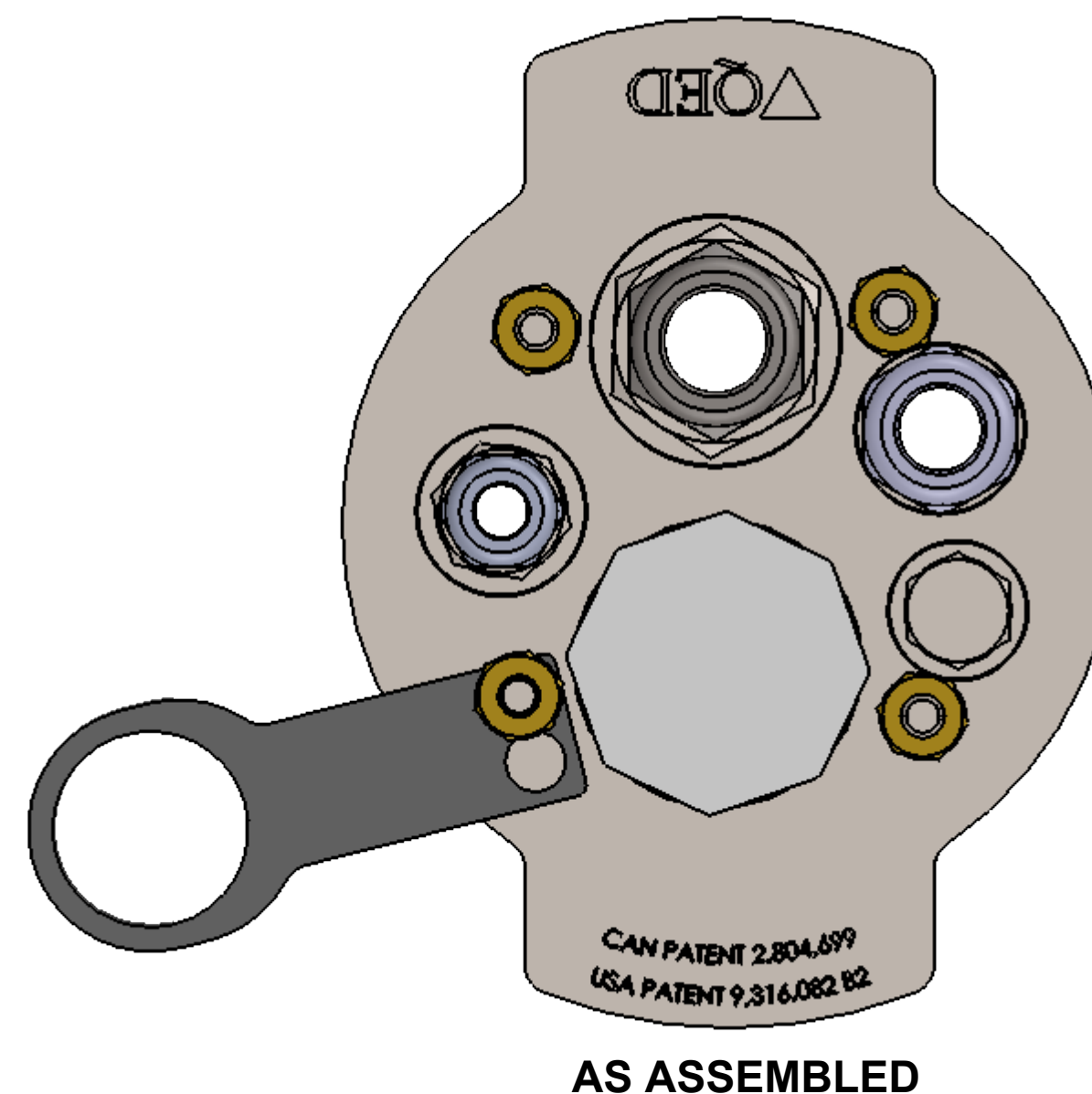


ITEM	PART #	DESCRIPTION	QTY.
1	625-80-BASE	6" SCH 80 OR DR17 WELL BASE CAP	1
2	PLUG-SS-50	1/2 IN NPT-M PLUG	1
3	RB-SS-125-100	REDUCING BUSHING 1-1/4 X 1 304SS	2
4	COUP-SS-125	1-1/4in NPT Coupling	1
5	204372	PLUG 2" SPG SCH 40 PVC	1
6	205583	BARB 1" x 1" MPT S.S.	1
7	39360	CLAMP, 1-EAR FOR 1-1/4" TUBING	3
8	RB-SS-75-50	3/4-1/2in Reducer Bushing	1
9	39227	COMP .230 -.546 X 1/2" MPT LT NYLON	1
10	39226	CONNECTOR COMPRESSION 5/8 T X 3/4 NPT	1
11	40090	ADAPTER, 1" MPT "F" TYPE CAM LOCK SS	1


B
A

NOTE:

1. TEFLON TAPE ALL PIPE THREADED JOINTS.
2. CLAMPS ARE PLACED IN A PLASTIC BAG AND SHIP TOGETHER



AS ASSEMBLED

UNLESS OTHERWISE SPECIFIED, DIMENSIONS ARE IN INCHES AND INCLUDE PLATING REMOVE ALL BURRS	DRAWN BY	DATE	 2355 BISHOP CIRCLE W, DEXTER, MI. 48130
	TR	01-25-18	
TOLERANCES XX +/- .01 FRACT +/- 1/64 XXX +/- .005 ANGLES +/- 1/2 OTHER TOLERANCES AS SPECIFIED	CHECKED BY	DATE	TITLE WELL SEAL 6" 5-PORT FOR APS W/1 CAMLCK, 5/8 & 1/2 T COMP F. EXH O
	-	-	
NEXT ASSY -	MATERIAL -	DWG. NO. AP306221	REV. B
USED ON -	FINISH -	SCALE 1:4	SHEET 1 OF 1