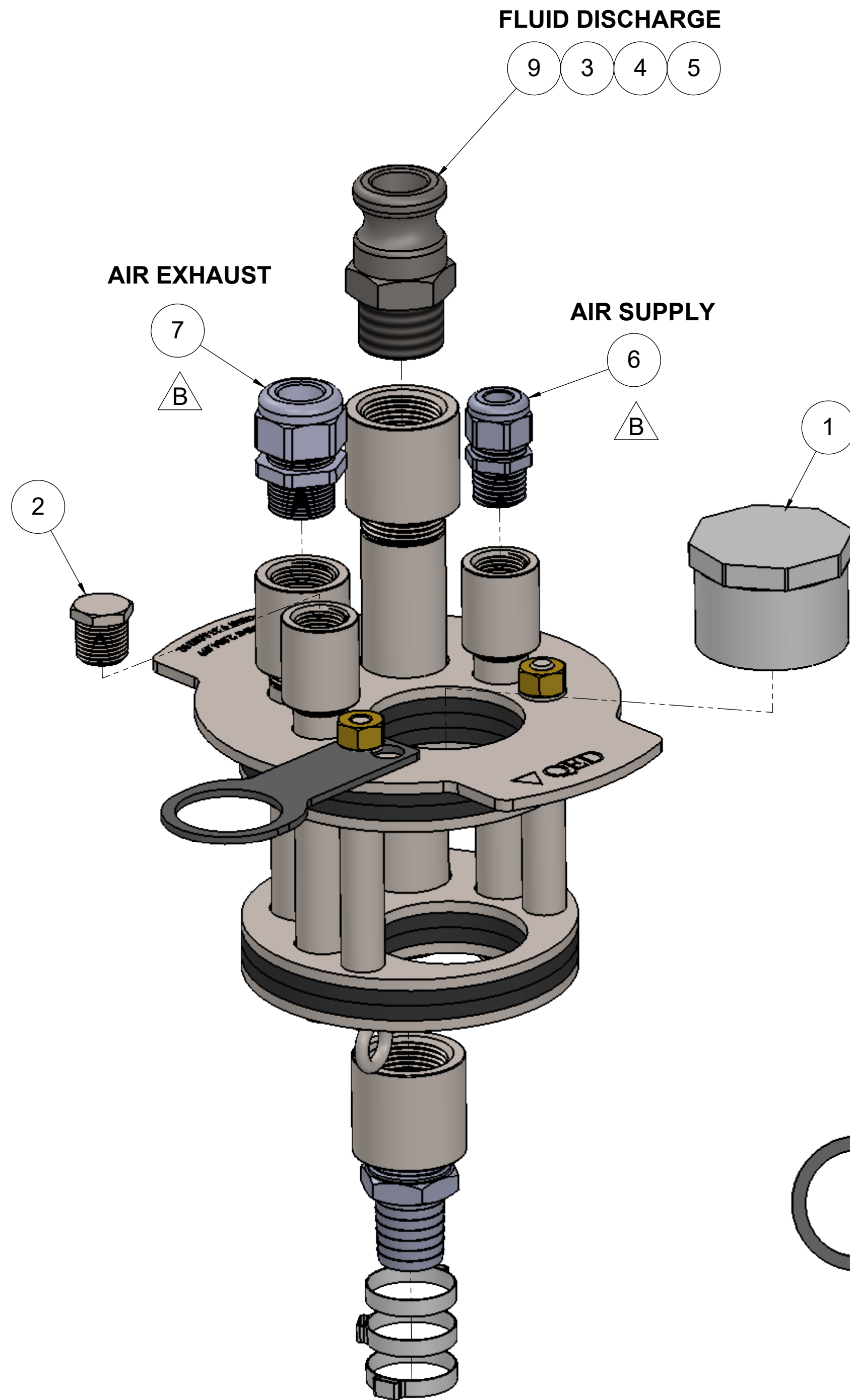


THE INFORMATION CONTAINED IN THIS DRAWING IS THE SOLE PROPERTY OF Q.E.D. ENVIRONMENTAL ANY REPRODUCTION IN PART OR WHOLE WITHOUT THE WRITTEN PERMISSION OF Q.E.D. ENVIRONMENTAL IS PROHIBITED.

REVISIONS

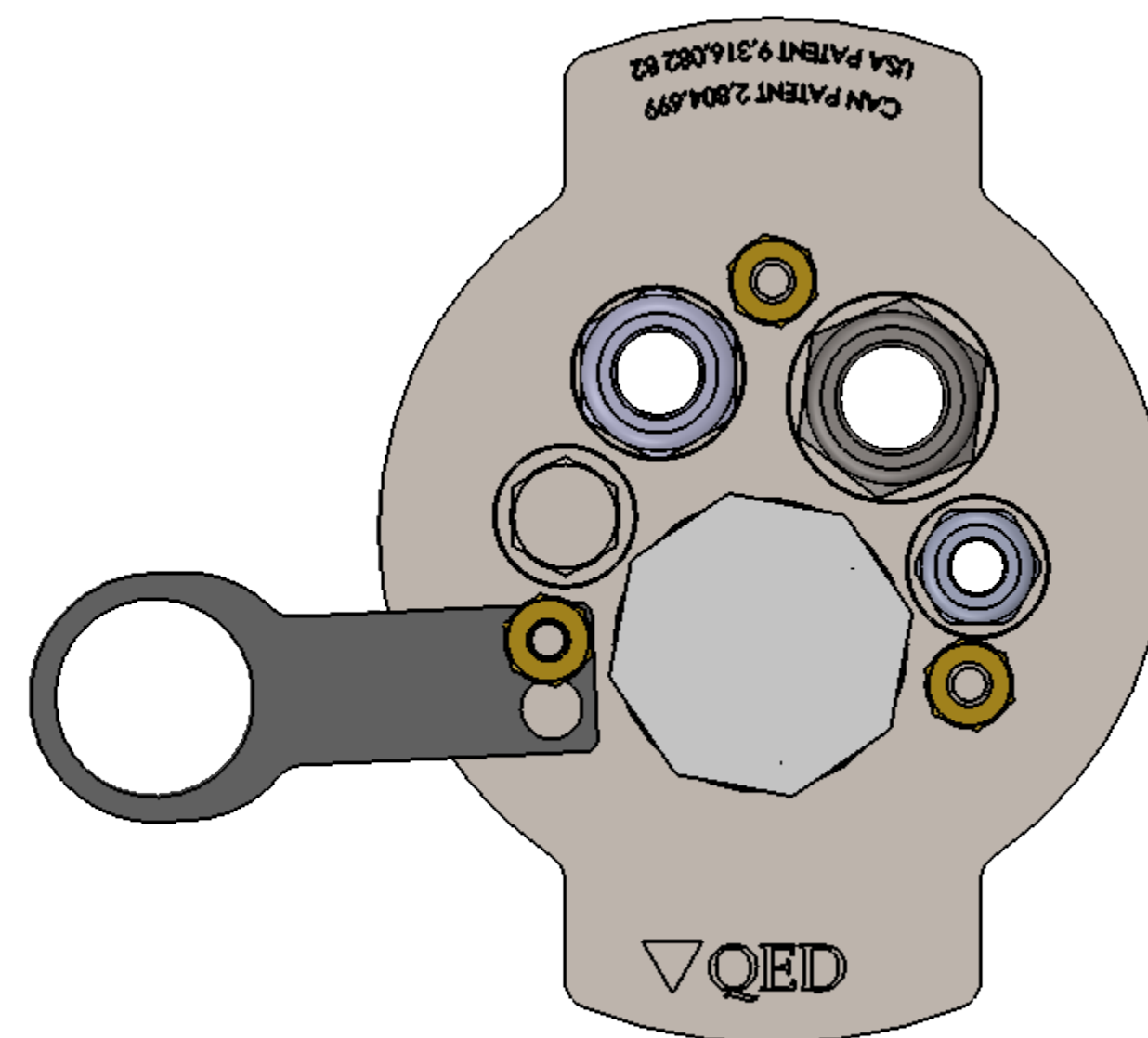
REV.	DESCRIPTION	ECO #	DRAWN BY	CHECKED BY	DATE
-	INITIAL RELEASE	4026	TR	-	1/30/2018
A	ITEM #9 WAS NYLON CAMSOCKET TYPE, NIPPLE AND ELBOW FOR THAT PORT REMOVED	4241	TR	-	8/16/2018
B	39227 WAS 202868, 39226 WAS 203430	4311	MTM	-	10/24/2018



ITEM	PART #	DESCRIPTION	QTY.
1	204372	PLUG 2" SPG SCH 40 PVC	1
2	PLUG-SS-50	1/2 IN NPT-M PLUG	1
3	COUP-SS-100	1in NPT Coupling	1
4	205583	BARB 1" x 1" MPT S.S.	1
5	39360	CLAMP, 1-EAR FOR 1-1/4" TUBING	3
6	39227	COMP .230 -.546 X 1/2" MPT LT NYLON	1
7	39226	CONNECTOR COMPRESSION 5/8 T X 3/4 NPT	1
8	625-DR11-BASE	6" DR11 WELL BASE CAP	1
9	40090	ADAPTER, 1" MPT "F" TYPE CAM LOCK SS	1

B


A



AS ASSEMBLED

NOTE:

1. TEFLON TAPE ALL PIPE THREADED JOINTS.
2. CLAMPS ARE PLACED IN A PLASTIC BAG AND SHIP TOGETHER

UNLESS OTHERWISE SPECIFIED, DIMENSIONS ARE IN INCHES AND INCLUDE PLATING REMOVE ALL BURRS	DRAWN BY <b>TR</b>	DATE <b>01-30-18</b>	 <b>2355 BISHOP CIRCLE W, DEXTER, MI. 48130</b>
	CHECKED BY -	DATE -	
TOLERANCES XX +/- .01 FRACT +/- 1/64 XXX +/- .005 ANGLES +/- 1/2 OTHER TOLERANCES AS SPECIFIED	APPROVED BY -	DATE -	TITLE <b>WELL SEAL 6" 5-PORT FOR APS W/1 CAMPLG TOP 1 TB BOTT &amp; 5/8 &amp; 1/2 COMP FTG ON TOP</b>
	NEXT ASSY -	MATERIAL -	DWG. NO. <b>AP306222</b>
USED ON -	FINISH -	SCALE <b>1:4</b>	REV. <b>B</b> SHEET 1 OF 1