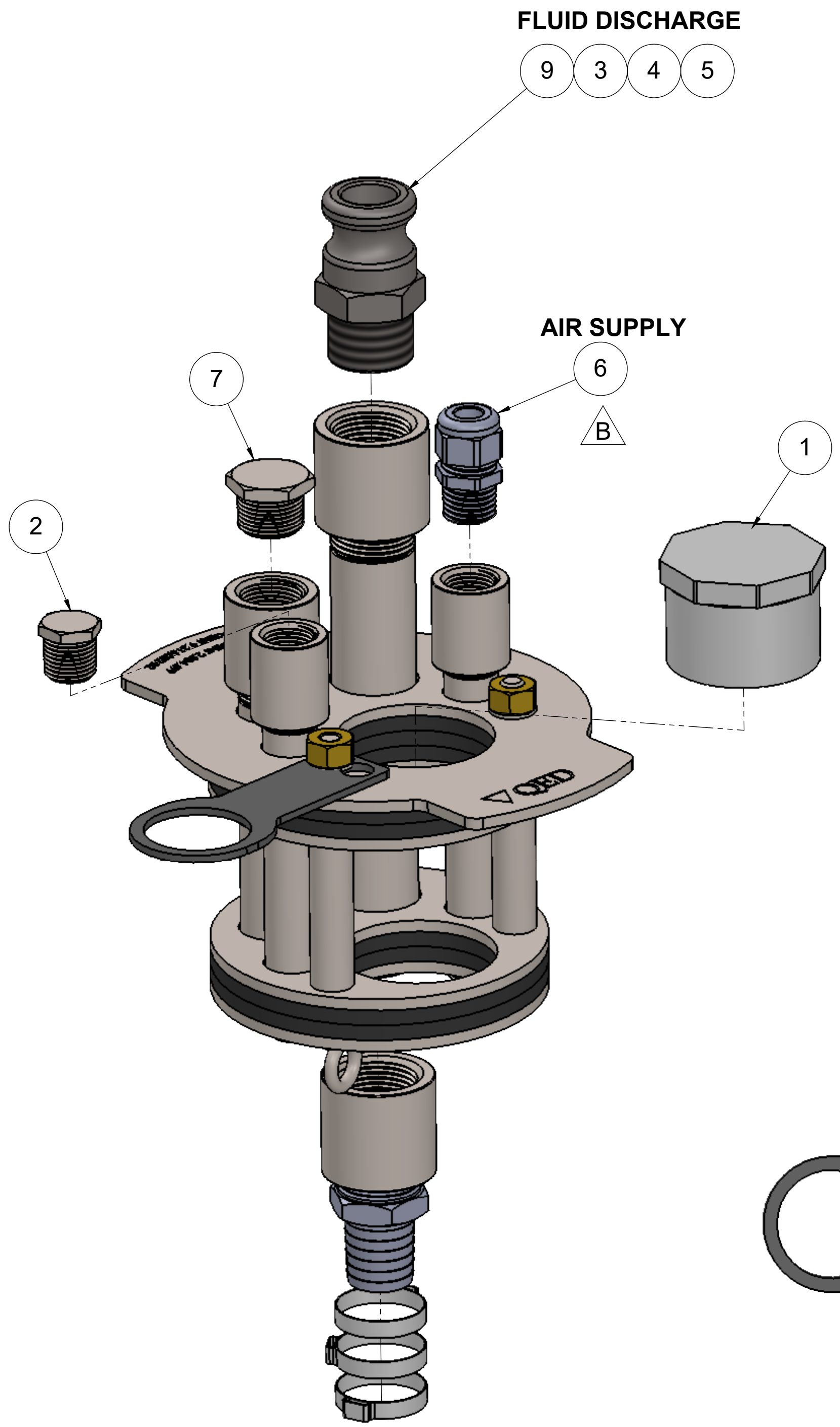
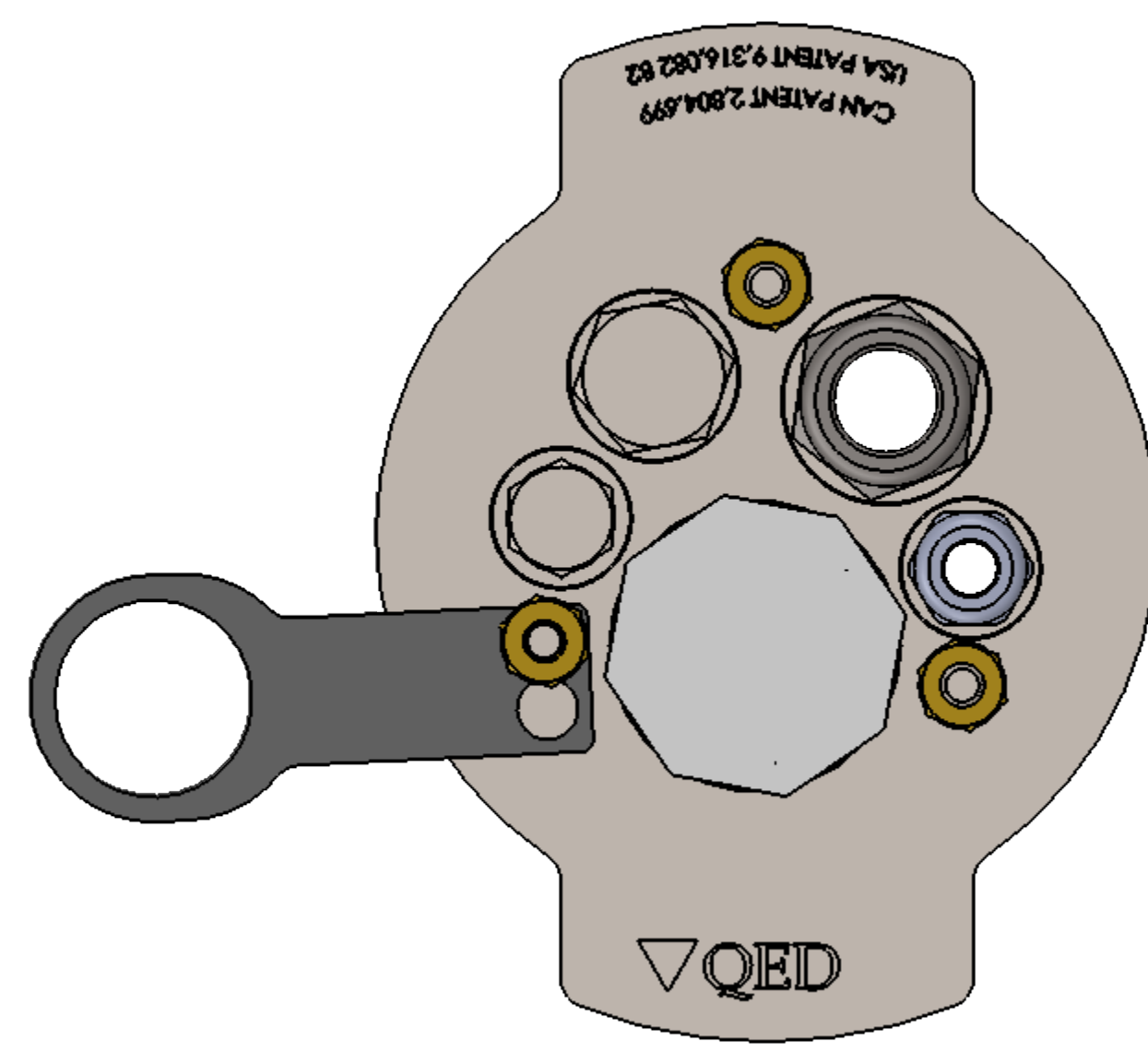


THE INFORMATION CONTAINED IN THIS DRAWING IS THE SOLE PROPERTY OF Q.E.D. ENVIRONMENTAL ANY REPRODUCTION IN PART OR WHOLE WITHOUT THE WRITTEN PERMISSION OF Q.E.D. ENVIRONMENTAL IS PROHIBITED.




REVISIONS					
REV.	DESCRIPTION	ECO #	DRAWN BY	CHECKED BY	DATE
-	INITIAL RELEASE	4026	TR	-	1/30/2018
A	ITEM #9 WAS NYLON CAMSOCKET TYPE, NIPPLE AND ELBOW FOR THAT PORT REMOVED	4241	TR	-	8/16/2018
B	39227 WAS 202868	4311	MTM	-	10/24/2018

ITEM	PART #	DESCRIPTION	QTY.	
1	204372	PLUG 2" SPG SCH 40 PVC	1	
2	PLUG-SS-50	1/2 IN NPT-M PLUG	1	
3	COUP-SS-100	1in NPT Coupling	1	
4	205583	BARB 1" x 1" MPT S.S.	1	
5	39360	CLAMP, 1-EAR FOR 1-1/4" TUBING	3	
B	6	39227	COMP .230 -.546 X 1/2" MPT LT NYLON	1
7	PLUG-SS-75	3/4in NPT-M Plug	1	
8	625-DR11-BASE	6" DR11 WELL BASE CAP	1	
A	9	40090	ADAPTER, 1" MPT "F" TYPE CAM LOCK SS	1



AS ASSEMBLED

NOTE:  
 1. TEFLON TAPE ALL PIPE THREADED JOINTS.  
 2. CLAMPS ARE PLACED IN A PLASTIC BAG AND SHIP TOGETHER

UNLESS OTHERWISE SPECIFIED, DIMENSIONS ARE IN INCHES AND INCLUDE PLATING REMOVE ALL BURRS	DRAWN BY	DATE	 2355 BISHOP CIRCLE W, DEXTER, MI. 48130
	TR	01-30-18	
TOLERANCES XX +/- .01 FRACT +/- 1/64 XXX +/- .005 ANGLES +/- 1/2 OTHER TOLERANCES AS SPECIFIED	CHECKED BY	DATE	TITLE WELL SEAL 6" 5-PORT FOR APS W/1 CAMPLG TOP 1 TB BOTT & 1/2 COMP FTG ON TOP
	-	-	
NEXT ASSY - USED ON -	APPROVED BY	DATE	DWG. NO. AP306224 SCALE 1:4 SHEET 1 OF 1
	-	-	
	MATERIAL -	REV. B	
	FINISH -		