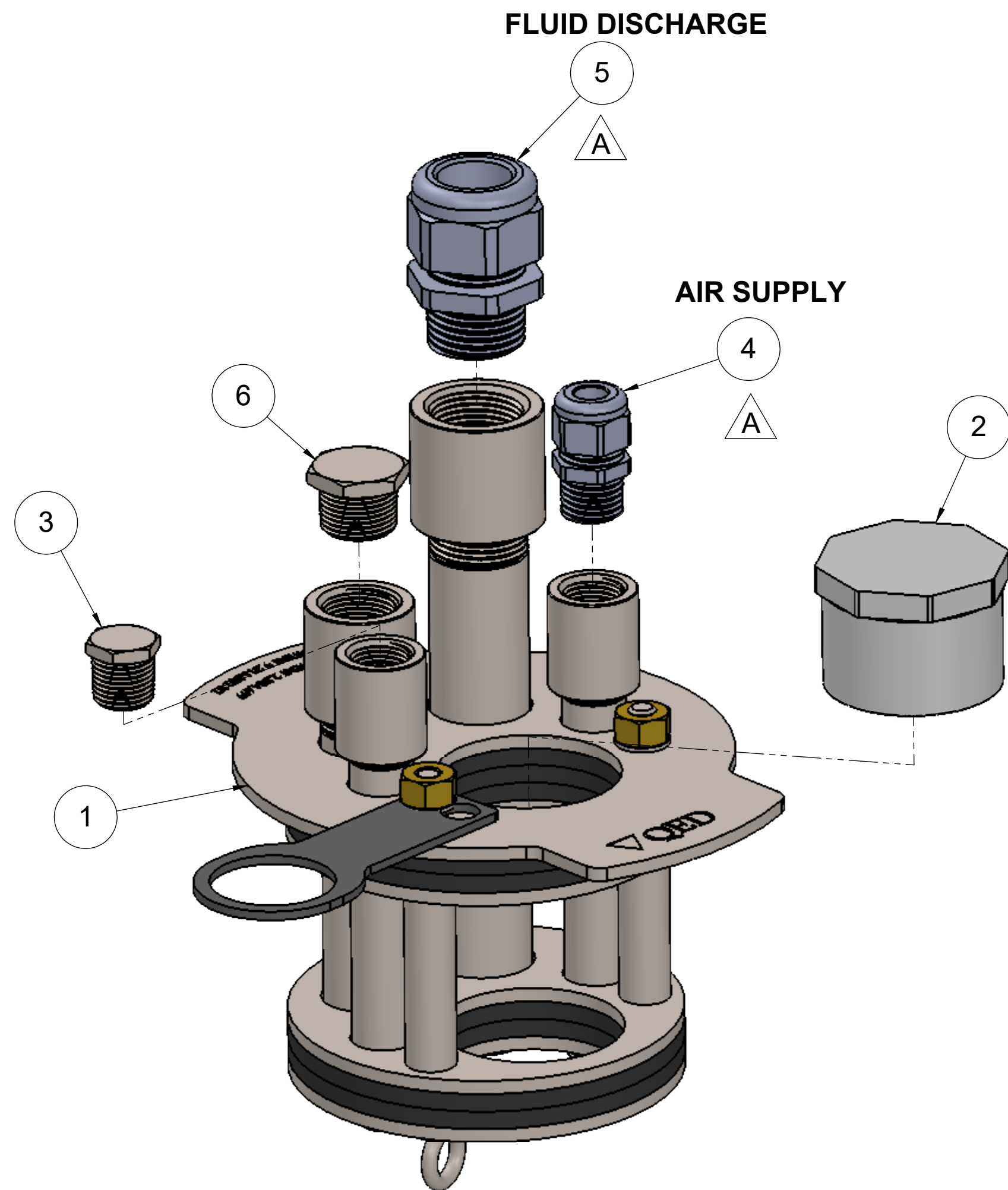


THE INFORMATION CONTAINED IN THIS DRAWING IS THE SOLE PROPERTY OF Q.E.D. ENVIRONMENTAL ANY REPRODUCTION IN PART OR WHOLE WITHOUT THE WRITTEN PERMISSION OF Q.E.D. ENVIRONMENTAL IS PROHIBITED.

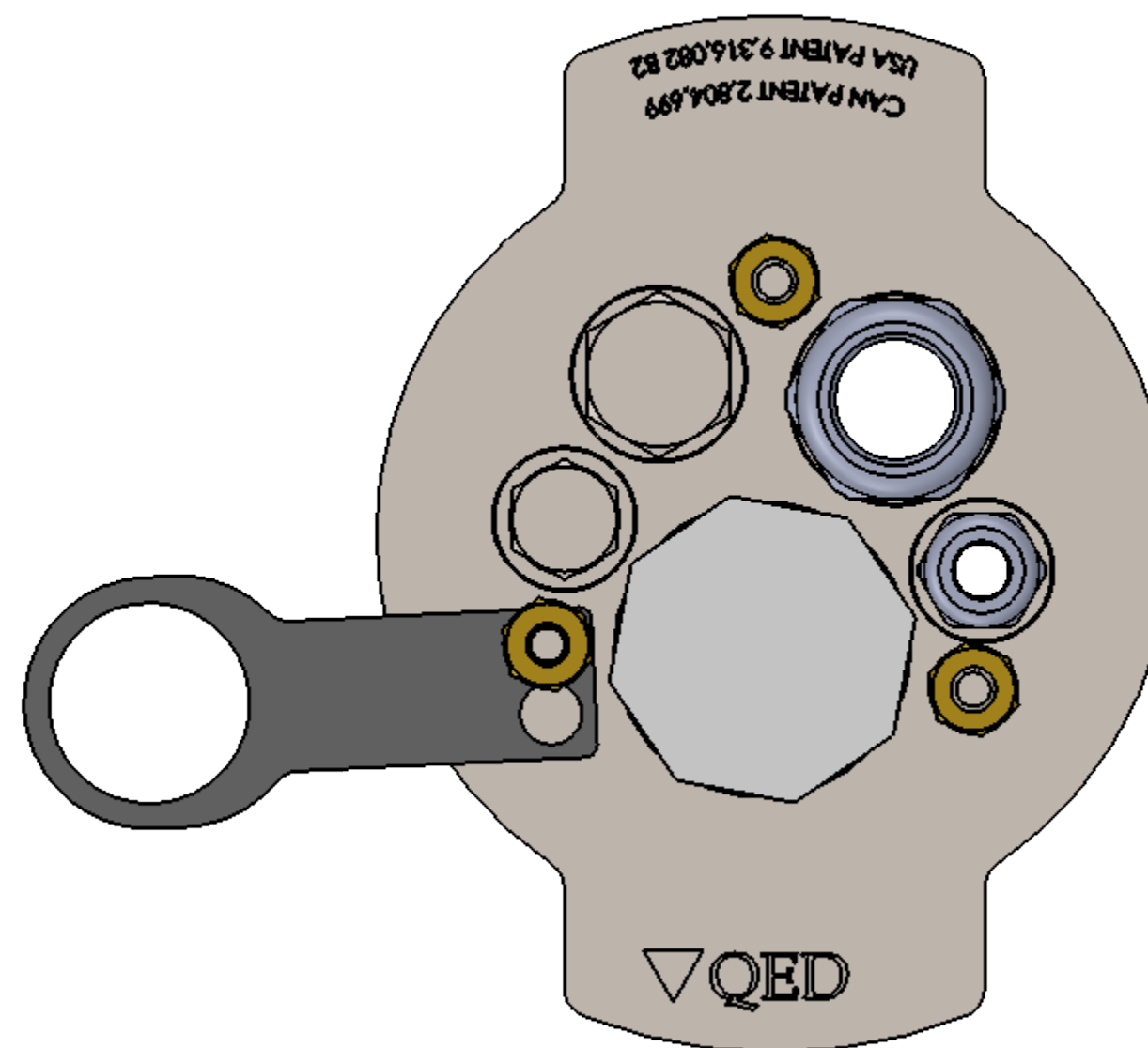
REVISIONS

REV.	DESCRIPTION	ECO #	DRAWN BY	CHECKED BY	DATE
-	INITIAL RELEASE	4026	TR	-	1/30/2018
A	39227 WAS 202868, 39222 WAS 203438	4311	MTM	-	10/24/2018




ITEM	PART #	DESCRIPTION	QTY.
1	625-DR11-BASE	6" DR11 WELL BASE CAP	1
2	204372	PLUG 2" SPG SCH 40 PVC	1
3	PLUG-SS-50	1/2 IN NPT-M PLUG	1
4	39227	COMP .230 -.546 X 1/2" MPT LT NYLON	1
5	39222	CONNECTOR COMPRESSION 1/2 H X 3/4 NPT	1
6	PLUG-SS-75	3/4in NPT-M Plug	1

A



AS ASSEMBLED

NOTE:
1. TEFLON TAPE ALL PIPE THREADED JOINTS.

UNLESS OTHERWISE SPECIFIED, DIMENSIONS ARE IN INCHES AND INCLUDE PLATING REMOVE ALL BURRS	DRAWN BY TR	DATE 01-30-18	 QED Environmental Systems 2355 BISHOP CIRCLE W, DEXTER, MI. 48130
	CHECKED BY -	DATE -	
TOLERANCES XX +/- .01 FRACT +/- 1/64 XXX +/- .005 ANGLES +/- 1/2 OTHER TOLERANCES AS SPECIFIED	APPROVED BY -	DATE -	TITLE WELL SEAL 6" 5-PORT FOR APS W/1 & 1/2 COMP FTGS ON TOP
NEXT ASSY -	MATERIAL -	DWG. NO. AP306228	REV. A
USED ON -	FINISH -	SCALE 1:4	SHEET 1 OF 1