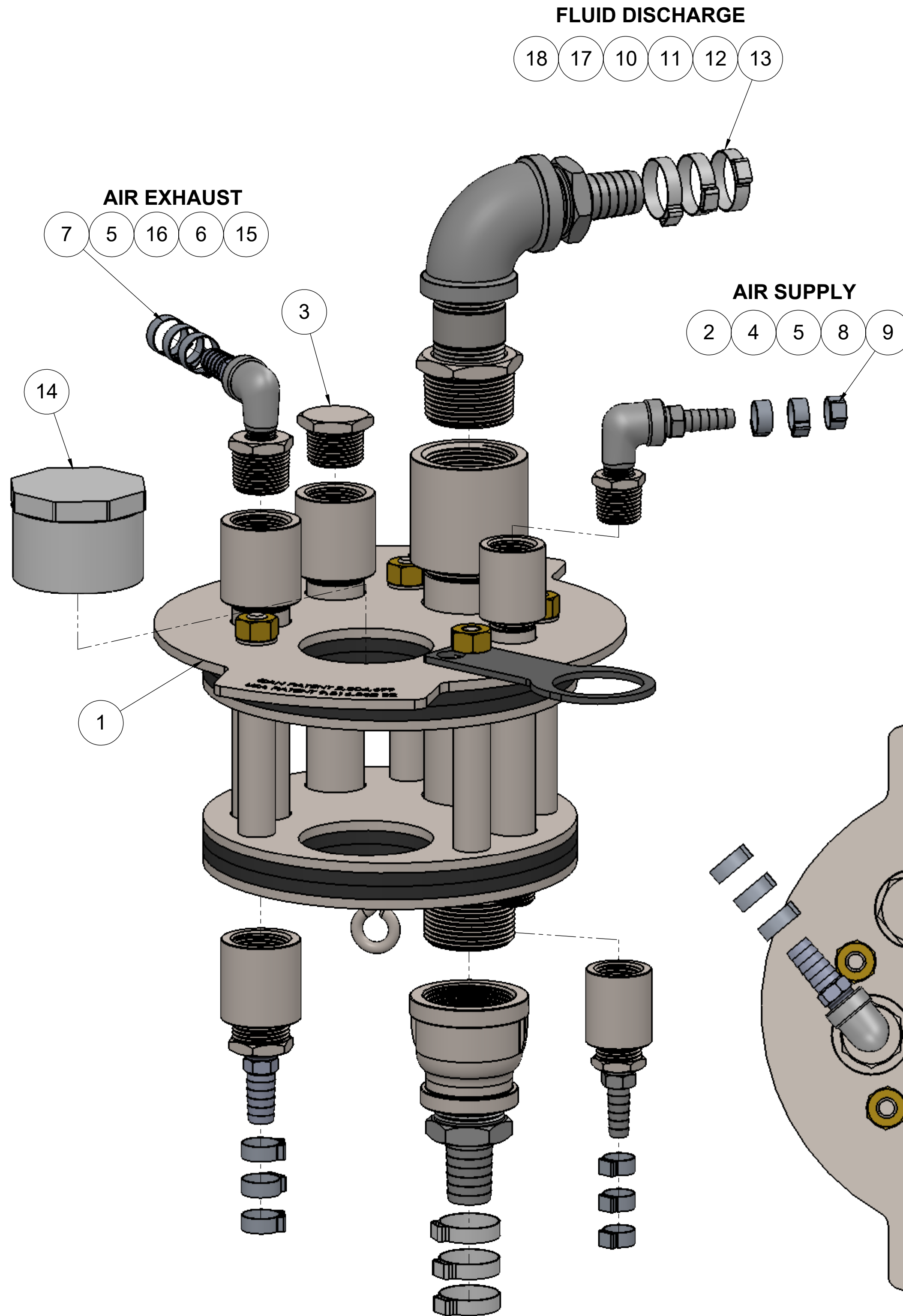


THE INFORMATION CONTAINED IN THIS DRAWING IS THE SOLE PROPERTY OF Q.E.D. ENVIRONMENTAL ANY REPRODUCTION IN PART OR WHOLE WITHOUT THE WRITTEN PERMISSION OF Q.E.D. ENVIRONMENTAL IS PROHIBITED.

REVISIONS


REV.	DESCRIPTION	ECO #	DRAWN BY	CHECKED BY	DATE
-	INITIAL RELEASE	4039	TR	MTM	2/9/2018



ITEM	PART #	DESCRIPTION	QTY.
1	825-DR11-BASE	8" DR11 WELL BASE CAP WITH 2" GAS PORT	1
2	COUP-SS-50	150 LBS 304 SS 1/2" COUPLING	1
3	PLUG-SS-75	3/4in NPT-M Plug	1
4	RB-SS-50-25	1/2 TO 1/4 SS BUSHING	2
5	204981	STREET ELBOW 1/4 304 SS	2
6	38874	BARB 1/2" x 1/4" MPT EXHAUST S.S.	2
7	38934	CLAMP 17.0-706R (FOR 5/8" TUBING)	6
8	38875	BARB 3/8" x 1/4" MPT AIR SUPPLY S.S.	2
9	35209	CLAMP 13.8-706R (FOR 1/2" TUBING)	6
10	810083	NIPPLE 1" X 2" LG	1
11	37092	ELBOW 1 FPT 304SS	1
12	38879	BARB 13/16" x 1" MPT S.S.	2
13	36165	CLAMP, 1-EAR FOR 1" TUBING	6
14	204372	PLUG 2" SPG SCH 40 PVC	1
15	COUP-SS-75	3/4in NPT Coupling	1
16	RB-SS-75-25	3/4 to 1/4in Bushing	2
17	RB-SS-125-100	REDUCING BUSHING 1-1/4 X 1 304SS	1
18	RC-SS-125-100	RED. COUPLING 1-1/4 TO 1IN	1

NOTE:

1. TEFLON TAPE ALL PIPE THREADED JOINTS.
2. CLAMPS ARE PLACED IN A PLASTIC BAG AND SHIP TOGETHER

UNLESS OTHERWISE SPECIFIED, DIMENSIONS ARE IN INCHES AND INCLUDE PLATING REMOVE ALL BURRS	DRAWN BY <b>TR</b>	DATE <b>02-09-18</b>	 <b>2355 BISHOP CIRCLE W, DEXTER, MI. 48130</b>
	CHECKED BY <b>MTM</b>	DATE <b>3/12/18</b>	
TOLERANCES XX +/- .01 FRACT +/- 1/64 XXX +/- .005 ANGLES +/- 1/2 OTHER TOLERANCES AS SPECIFIED	APPROVED BY -	DATE -	TITLE <b>8" WELL SEAL, DR11, EXH. OUT, 1, 5/8 AND 1/2" BARBS TOP AND BOTTOM</b>
NEXT ASSY -	MATERIAL -	DWG. NO. <b>AP308202</b>	REV. -
USED ON -	FINISH -	SCALE <b>1:4</b>	SHEET <b>1 OF 1</b>