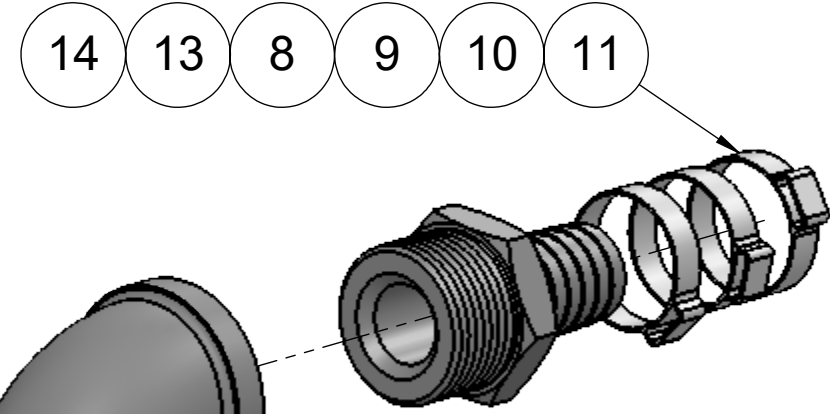


THE INFORMATION CONTAINED IN THIS DRAWING IS THE SOLE PROPERTY OF Q.E.D. ENVIRONMENTAL ANY REPRODUCTION IN PART OR WHOLE WITHOUT THE WRITTEN PERMISSION OF Q.E.D. ENVIRONMENTAL IS PROHIBITED.

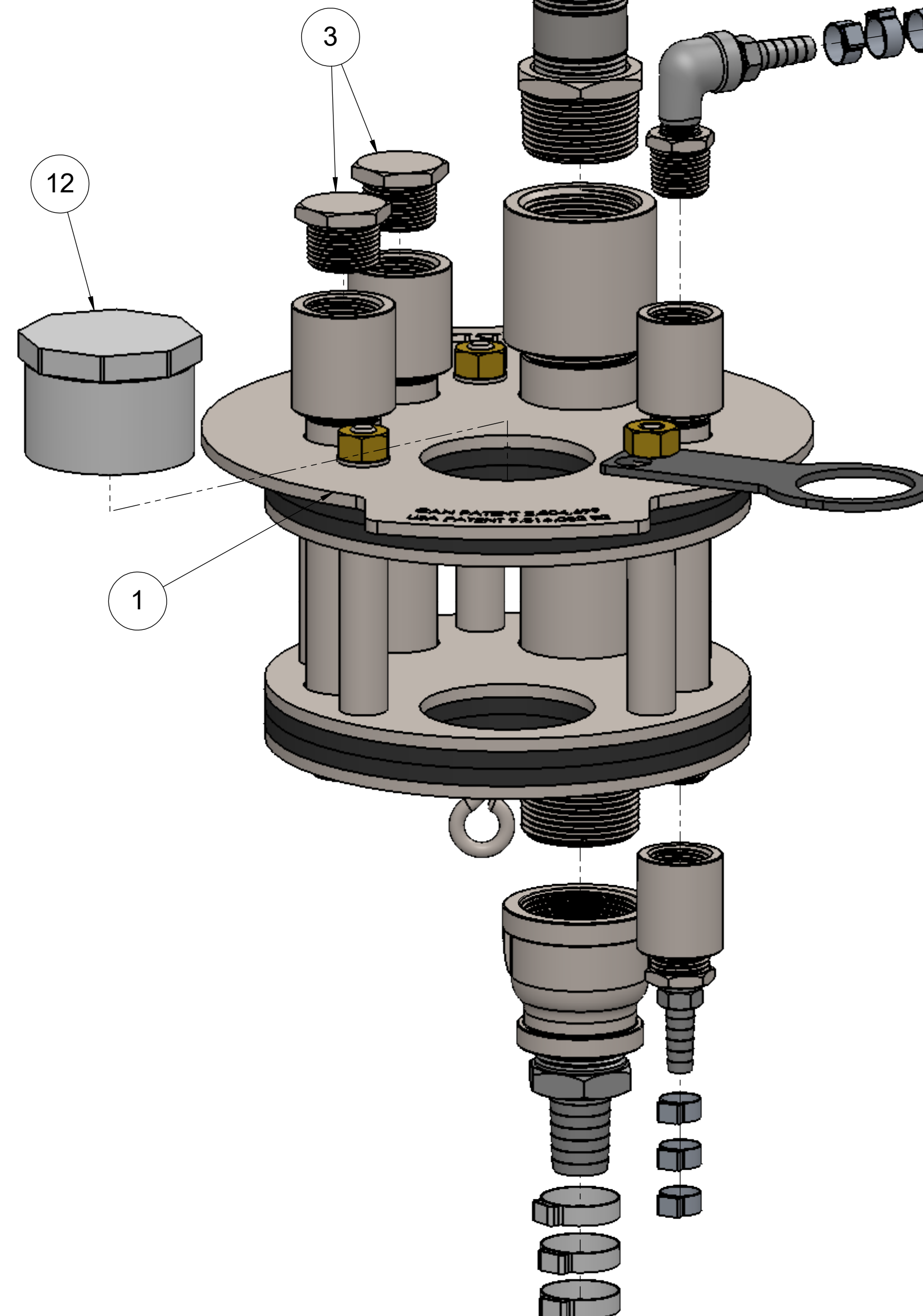
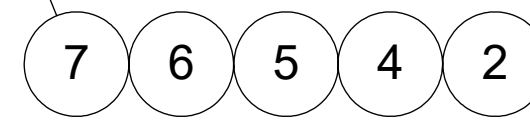
REVISIONS

REV.	DESCRIPTION	ECO #	DRAWN BY	CHECKED BY	DATE
-	INITIAL RELEASE	4039	TR	MTM	2/9/2018

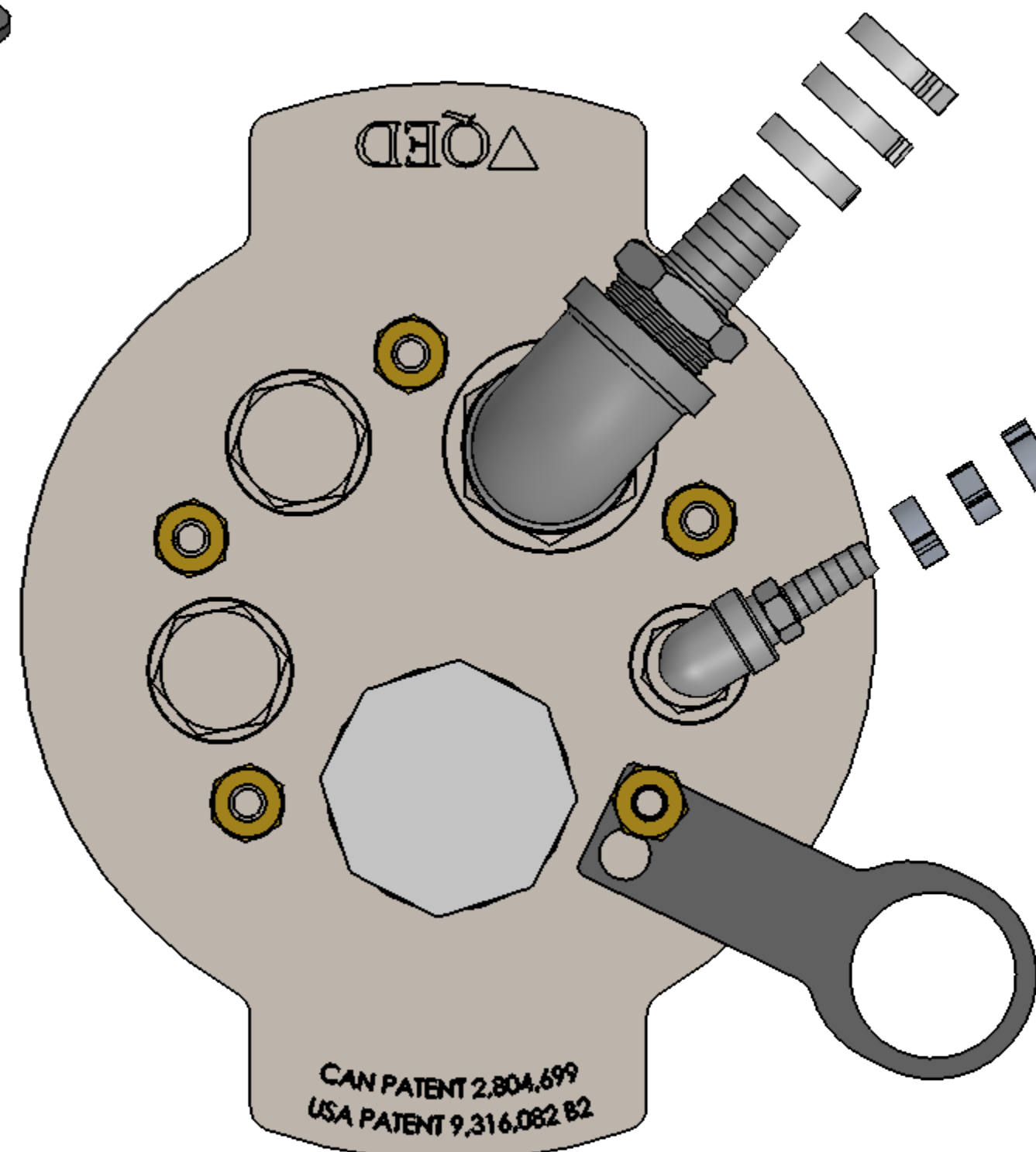
FLUID DISCHARGE



AIR SUPPLY




ITEM	PART #	DESCRIPTION	QTY.
1	825-DR11-BASE	8" DR11 WELL BASE CAP WITH 2" GAS PORT	1
2	COUP-SS-50	150 LBS 304 SS 1/2" COUPLING	1
3	PLUG-SS-75	3/4in NPT-M Plug	2
4	RB-SS-50-25	1/2 TO 1/4 SS BUSHING	2
5	204981	STREET ELBOW 1/4 304 SS	1
6	38875	BARB 3/8" x 1/4" MPT AIR SUPPLY S.S.	2
7	35209	CLAMP 13.8-706R (FOR 1/2" TUBING)	6
8	810083	NIPPLE 1" X 2" LG	1
9	37092	ELBOW 1 FPT 304SS	1
10	38879	BARB 13/16" x 1" MPT S.S.	2
11	36165	CLAMP, 1-EAR FOR 1" TUBING	6
12	204372	PLUG 2" SPG SCH 40 PVC	1
13	RB-SS-125-100	REDUCING BUSHING 1-1/4 X 1 304SS	1
14	RC-SS-125-100	RED. COUPLING 1-1/4 TO 1IN	1



AS ASSEMBLED

NOTE:
 1. TEFLON TAPE ALL PIPE THREADED JOINTS.
 2. CLAMPS ARE PLACED IN A PLASTIC BAG AND SHIP TOGETHER

UNLESS OTHERWISE SPECIFIED, DIMENSIONS ARE IN INCHES AND INCLUDE PLATING REMOVE ALL BURRS	DRAWN BY TR	DATE 02-09-18	 QED Environmental Systems 2355 BISHOP CIRCLE W, DEXTER, MI. 48130
	CHECKED BY MTM	DATE 3/12/18	
TOLERANCES XX +/- .01 FRACT +/- 1/64 XXX +/- .005 ANGLES +/- 1/2 OTHER TOLERANCES AS SPECIFIED	APPROVED BY -	DATE -	TITLE 8" WELL SEAL, DR11, EXH IN, 1 & 1/2 B T&B
NEXT ASSY -	MATERIAL -	DWG. NO. AP308206	REV. -
USED ON -	FINISH -	SCALE 1:4	SHEET 1 OF 1