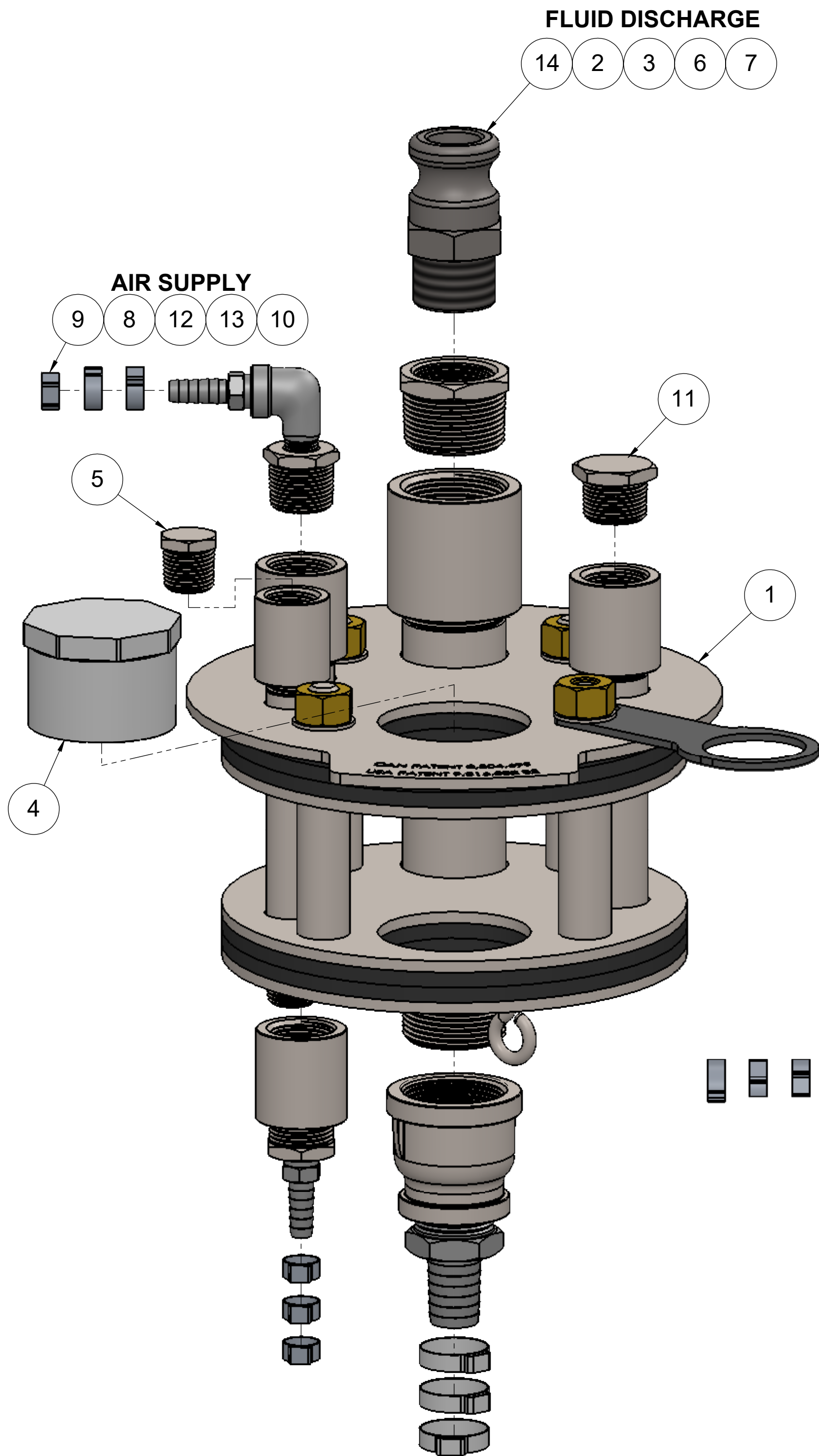


THE INFORMATION CONTAINED IN THIS DRAWING IS THE SOLE PROPERTY OF Q.E.D. ENVIRONMENTAL ANY REPRODUCTION IN PART OR WHOLE WITHOUT THE WRITTEN PERMISSION OF Q.E.D. ENVIRONMENTAL IS PROHIBITED.

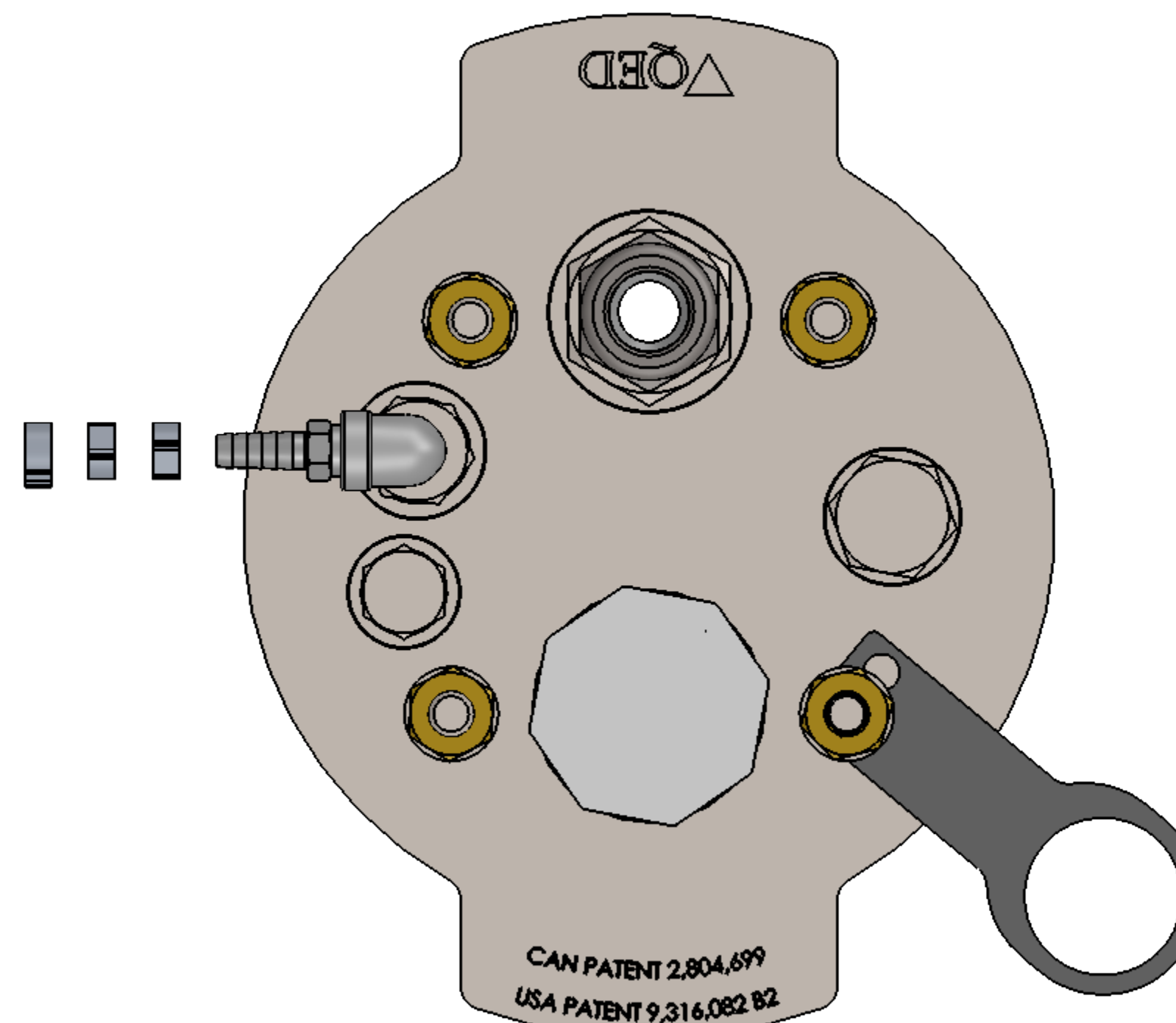
REVISIONS

REV.	DESCRIPTION	ECO #	DRAWN BY	CHECKED BY	DATE
-	INITIAL RELEASE	4036	TR	-	2/6/2018
A	ITEM #14 WAS NYLON CAMSOCKET TYPE, NIPPLE AND ELBOW FOR THAT PORT REMOVED	4241	TR	-	8/14/2018




ITEM	PART #	DESCRIPTION	QTY.
1	825-80-BASE	8" SCH 80 OR DR17 WELL BASE CAP	1
2	RB-SS-125-100	REDUCING BUSHING 1-1/4 X 1 304SS	1
3	RC-SS-125-100	RED. COUPLING 1-1/4 TO 1IN	1
4	204372	PLUG 2" SPG SCH 40 PVC	1
5	PLUG-SS-50	1/2 IN NPT-M PLUG	1
6	38879	BARB 13/16" x 1" MPT S.S.	1
7	36165	CLAMP, 1-EAR FOR 1" TUBING	3
8	38875	BARB 3/8" x 1/4" MPT AIR SUPPLY S.S.	2
9	35209	CLAMP 13.8-706R (FOR 1/2" TUBING)	6
10	COUP-SS-75	3/4in NPT Coupling	1
11	PLUG-SS-75	3/4in NPT-M Plug	1
12	204981	STREET ELBOW 1/4 304 SS	1
13	RB-SS-75-25	3/4 to 1/4in Bushing	2
14	40090	ADAPTER, 1" MPT "F" TYPE CAM LOCK SS	1

A



NOTE:

1. TEFLON TAPE ALL PIPE THREADED JOINTS.
2. CLAMPS ARE PLACED IN A PLASTIC BAG AND SHIP TOGETHER

UNLESS OTHERWISE SPECIFIED, DIMENSIONS ARE IN INCHES AND INCLUDE PLATING REMOVE ALL BURRS	DRAWN BY	DATE	 2355 BISHOP CIRCLE W, DEXTER, MI. 48130
	TR	02-06-18	
TOLERANCES XX +/- .01 FRACT +/- 1/64 XXX +/- .005 ANGLES +/- 1/2 OTHER TOLERANCES AS SPECIFIED	CHECKED BY	DATE	TITLE 8" WELL SEAL, SCH 80, DR17 & DR21, EXH OUT, 1 CAMLCK, 1 & 1/2 B T&B
	-	-	
NEXT ASSY -	APPROVED BY	DATE	DWG. NO. AP308211 SCALE 1:4 SHEET 1 OF 1
USED ON -	-	-	
MATERIAL -	FINISH -	REV. A	