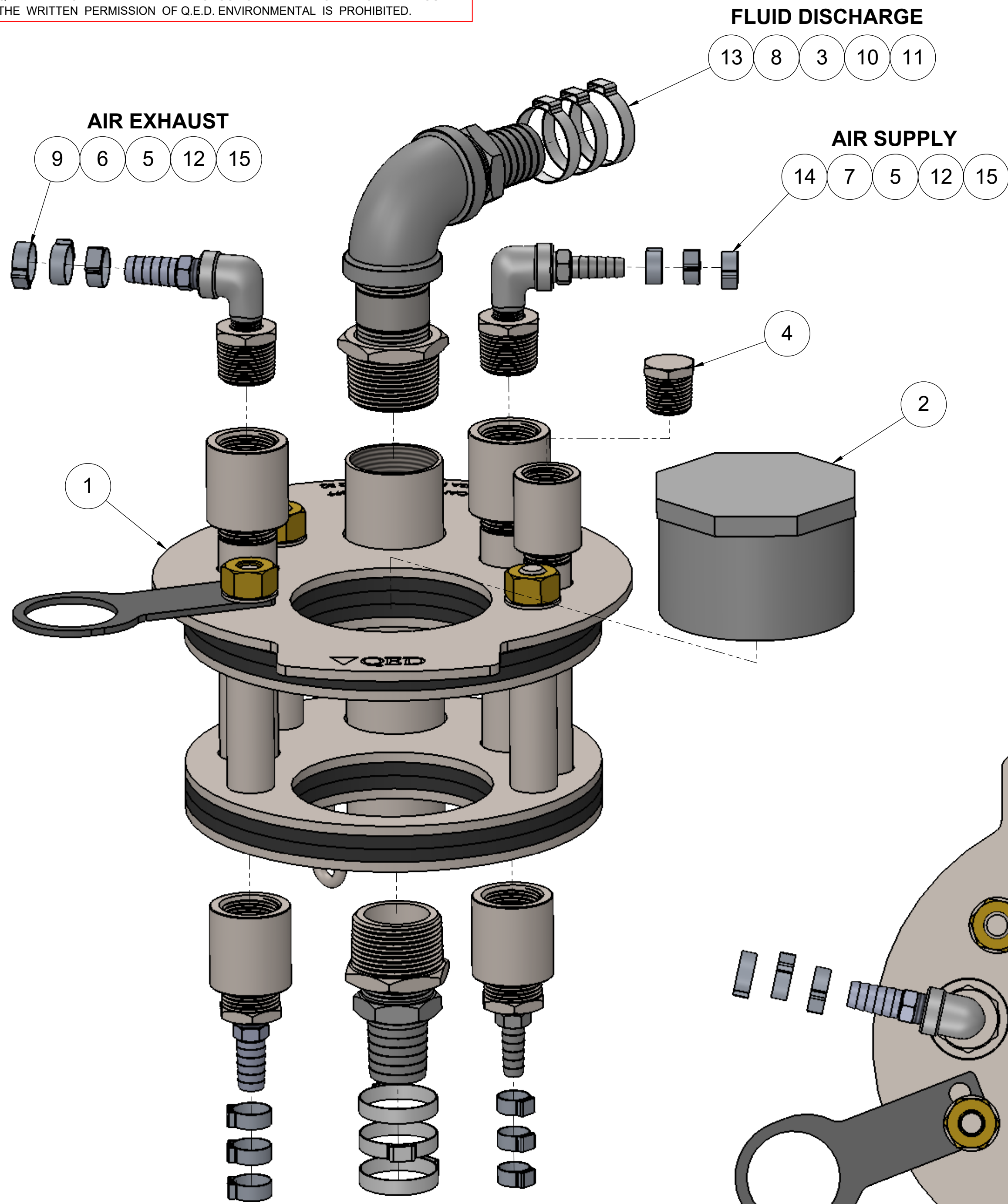
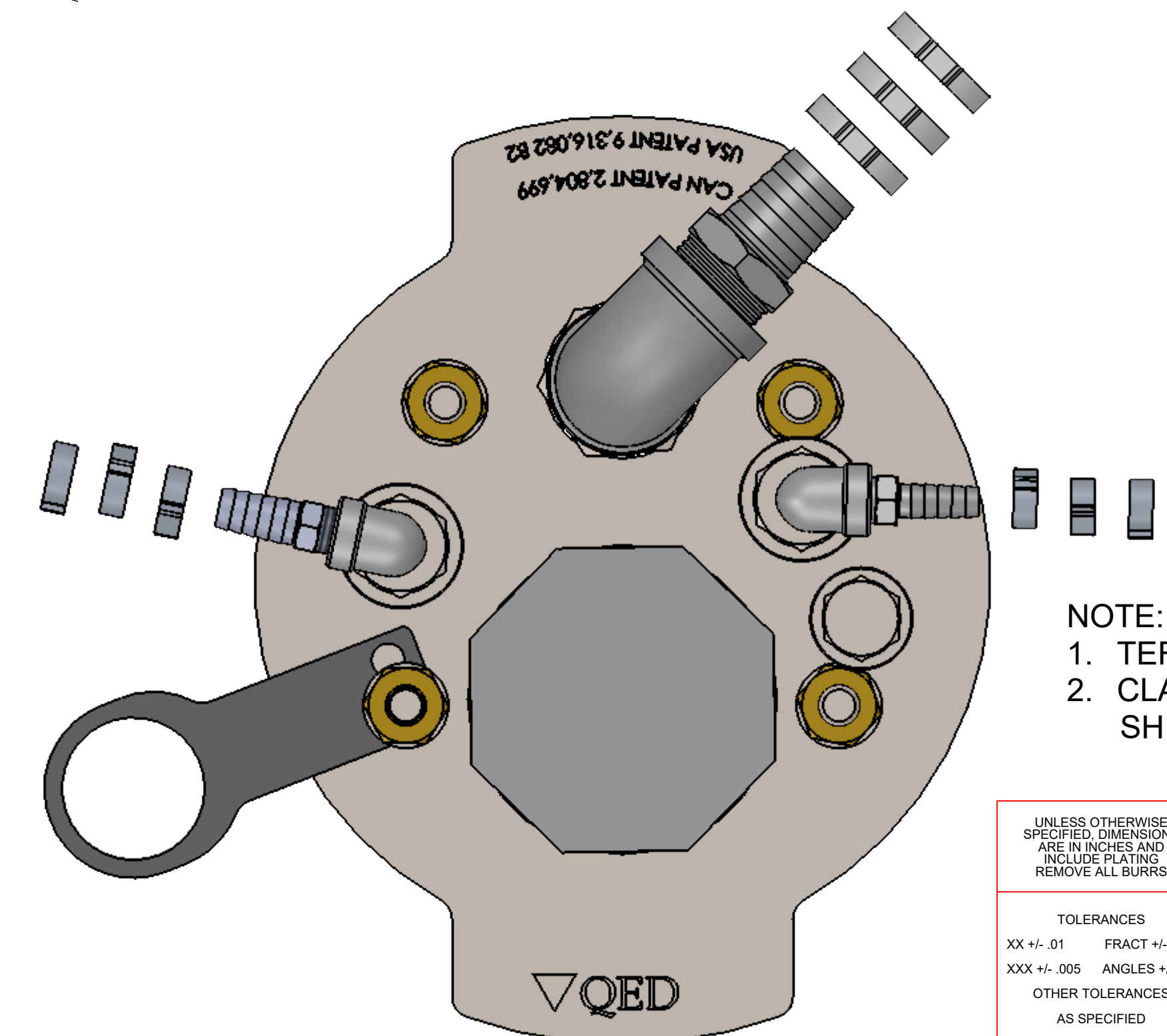


THE INFORMATION CONTAINED IN THIS DRAWING IS THE SOLE PROPERTY OF Q.E.D. ENVIRONMENTAL ANY REPRODUCTION IN PART OR WHOLE WITHOUT THE WRITTEN PERMISSION OF Q.E.D. ENVIRONMENTAL IS PROHIBITED.




REVISIONS					
REV.	DESCRIPTION	ECO #	DRAWN BY	CHECKED BY	DATE
-	INITIAL RELEASE	4045	TR	MTM	2/14/2018

ITEM	PART #	DESCRIPTION	QTY.
1	835-80-BASE	8" SCH 80 OR DR17 WELL, 3" GAS PORT, BASE CAP	1
2	200972	PLUG 3 S SCH 40 PVC	1
3	37092	ELBOW 1 FPT 304SS	1
4	PLUG-SS-50	1/2 IN NPT-M PLUG	1
5	204981	STREET ELBOW 1/4 304 SS	2
6	38874	BARB 1/2" x 1/4" MPT EXHAUST S.S.	2
7	38875	BARB 3/8" x 1/4" MPT AIR SUPPLY S.S.	2
8	205583	BARB 1" x 1" MPT S.S.	2
9	38934	CLAMP 17.0-706R (FOR 5/8" TUBING)	6
10	810083	NIPPLE 1" X 2" LG	1
11	RB-SS-125-100	REDUCING BUSHING 1-1/4 X 1 304SS	2
12	RB-SS-75-25	3/4 to 1/4in Bushing	4
13	39360	CLAMP, 1-EAR FOR 1-1/4" TUBING	6
14	35209	CLAMP 13.8-706R (FOR 1/2" TUBING)	6
15	COUP-SS-75	3/4in NPT Coupling	2



AS ASSEMBLED

NOTE:
 1. TEFLON TAPE ALL PIPE THREADED JOINTS.
 2. CLAMPS ARE PLACED IN A PLASTIC BAG AND SHIP TOGETHER

UNLESS OTHERWISE SPECIFIED, DIMENSIONS ARE IN INCHES AND INCLUDE PLATING REMOVE ALL BURRS	DRAWN BY	DATE	 2355 BISHOP CIRCLE W, DEXTER, MI. 48130
	TR	02-14-18	
TOLERANCES XX +/- .01 FRACT +/- 1/64 XXX +/- .005 ANGLES +/- 1/2 OTHER TOLERANCES AS SPECIFIED	CHECKED BY	DATE	TITLE 8" WELL SEAL, EXH OUT, SCH 80,5-PORT, 3 GAS, 1.25, 5/8 & 1/2 BS T&B
	MTM	3/13/18	
NEXT ASSY -	APPROVED BY	DATE	DWG. NO. AP308337
USED ON -	-	-	
MATERIAL -	FINISH -	SCALE 1:4	REV. -
		SHEET 1 OF 1	