

THE INFORMATION CONTAINED IN THIS DRAWING IS THE SOLE PROPERTY OF Q.E.D. ENVIRONMENTAL ANY REPRODUCTION IN PART OR WHOLE WITHOUT THE WRITTEN PERMISSION OF Q.E.D. ENVIRONMENTAL IS PROHIBITED.

REVISIONS

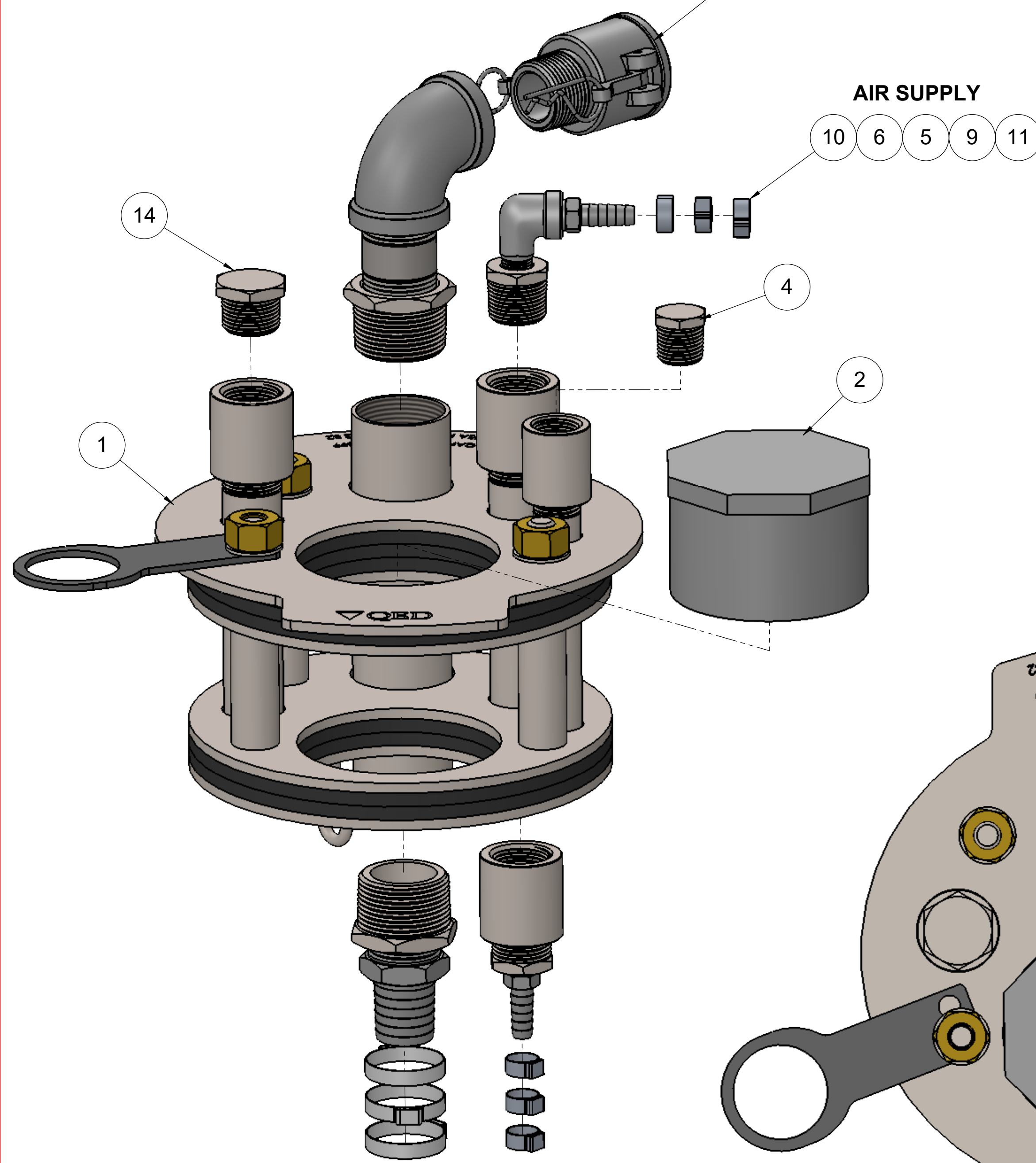
REV.	DESCRIPTION	ECO #	DRAWN BY	CHECKED BY	DATE
-	INITIAL RELEASE	4045	TR	MTM	2/14/2018

FLUID DISCHARGE

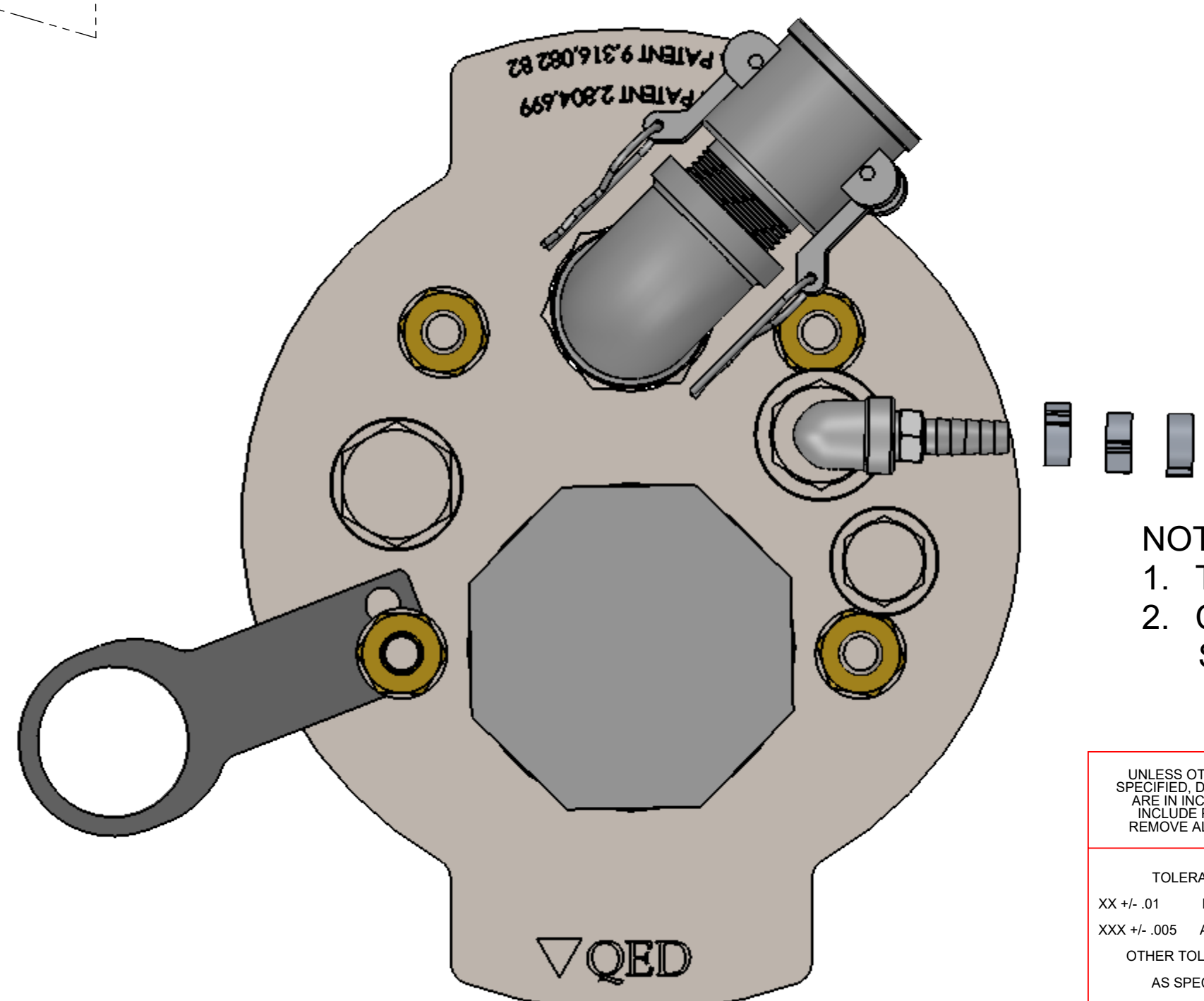
- 15
- 3
- 7
- 8
- 13
- 12

AIR SUPPLY

- 10
- 6
- 5
- 9
- 11




ITEM	PART #	DESCRIPTION	QTY.
1	835-80-BASE	8" SCH 80 OR DR17 WELL, 3" GAS PORT, BASE CAP	1
2	200972	PLUG 3 S SCH 40 PVC	1
3	37092	ELBOW 1 FPT 304SS	1
4	PLUG-SS-50	1/2 IN NPT-M PLUG	1
5	204981	STREET ELBOW 1/4 304 SS	1
6	38875	BARB 3/8" x 1/4" MPT AIR SUPPLY S.S.	2
7	810083	NIPPLE 1" X 2" LG	1
8	RB-SS-125-100	REDUCING BUSHING 1-1/4 X 1 304SS	2
9	RB-SS-75-25	3/4 to 1/4in Bushing	2
10	35209	CLAMP 13.8-706R (FOR 1/2" TUBING)	6
11	COUP-SS-75	3/4in NPT Coupling	1
12	39360	CLAMP, 1-EAR FOR 1-1/4" TUBING	3
13	205583	BARB 1" x 1" MPT S.S.	1
14	PLUG-SS-75	3/4in NPT-M Plug	1
15	41455	CAM SOCKET 1 MPT GLASS REINFORCED NYLON	1



AS ASSEMBLED

NOTE:
 1. TEFLON TAPE ALL PIPE THREADED JOINTS.
 2. CLAMPS ARE PLACED IN A PLASTIC BAG AND SHIP TOGETHER

UNLESS OTHERWISE SPECIFIED, DIMENSIONS ARE IN INCHES AND INCLUDE PLATING REMOVE ALL BURRS	DRAWN BY TR	DATE 02-14-18	 QED Environmental Systems 2355 BISHOP CIRCLE W, DEXTER, MI. 48130
	CHECKED BY MTM	DATE 3/13/18	
TOLERANCES XX +/- .01 FRACT +/- 1/64 XXX +/- .005 ANGLES +/- 1/2 OTHER TOLERANCES AS SPECIFIED	APPROVED BY -	DATE -	TITLE 8" WELL SEAL, EXH IN, SCH 80, 1 CAMSCKT, 1.25 B BOTT, 1/2 B T&B
NEXT ASSY -	MATERIAL -	DWG. NO. AP308347	REV. -
USED ON -	FINISH -	SCALE 1:4	SHEET 1 OF 1