

THE INFORMATION CONTAINED IN THIS DRAWING IS THE SOLE PROPERTY OF Q.E.D. ENVIRONMENTAL ANY REPRODUCTION IN PART OR WHOLE WITHOUT THE WRITTEN PERMISSION OF Q.E.D. ENVIRONMENTAL IS PROHIBITED.

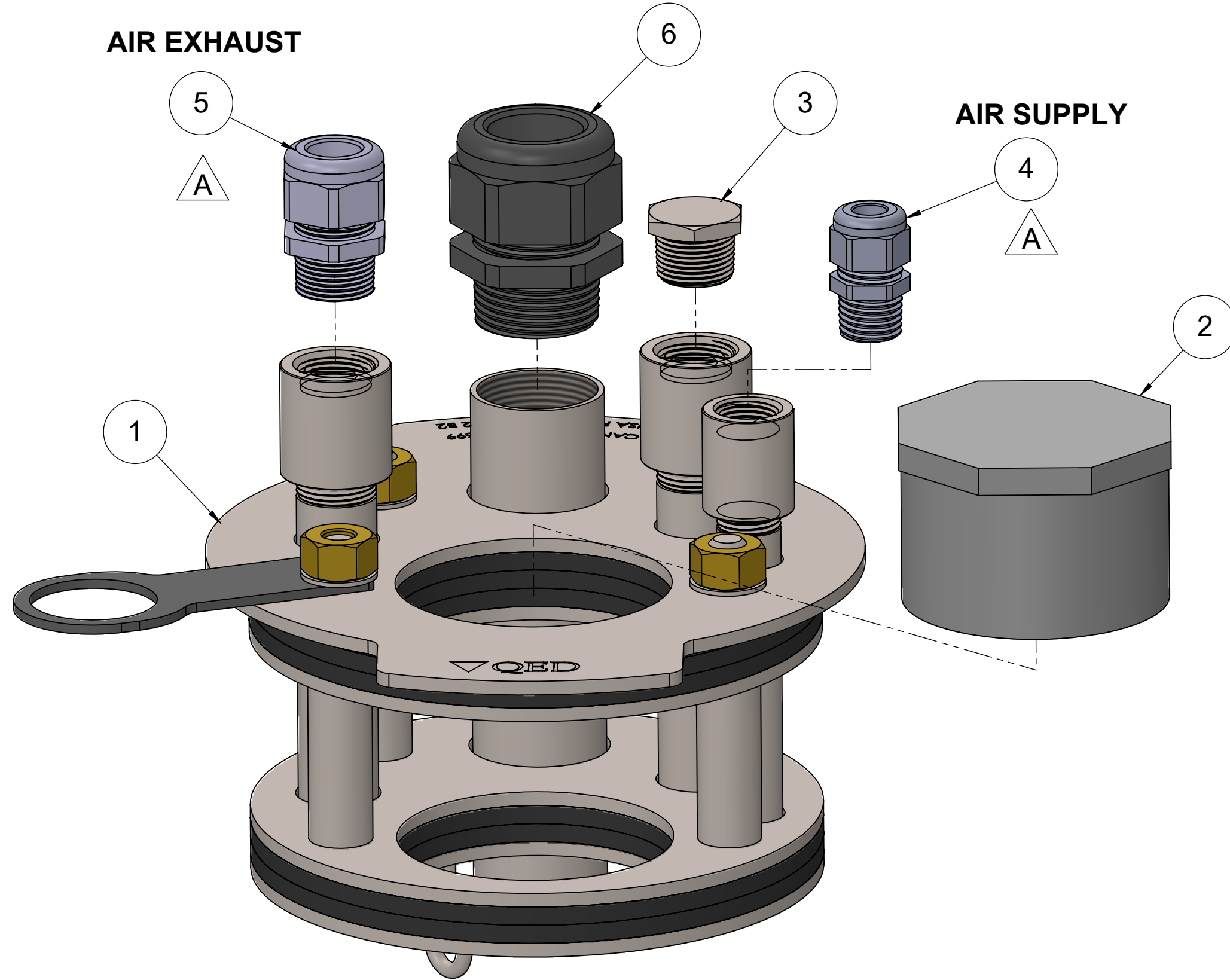
REVISIONS

REV.	DESCRIPTION	ECO #	DRAWN BY	CHECKED BY	DATE
-	INITIAL RELEASE	4045	TR	-	2/15/2018
A	39227 WAS 202868, 39226 WAS 203430	4311	MTM	-	10/25/2018

FLUID DISCHARGE

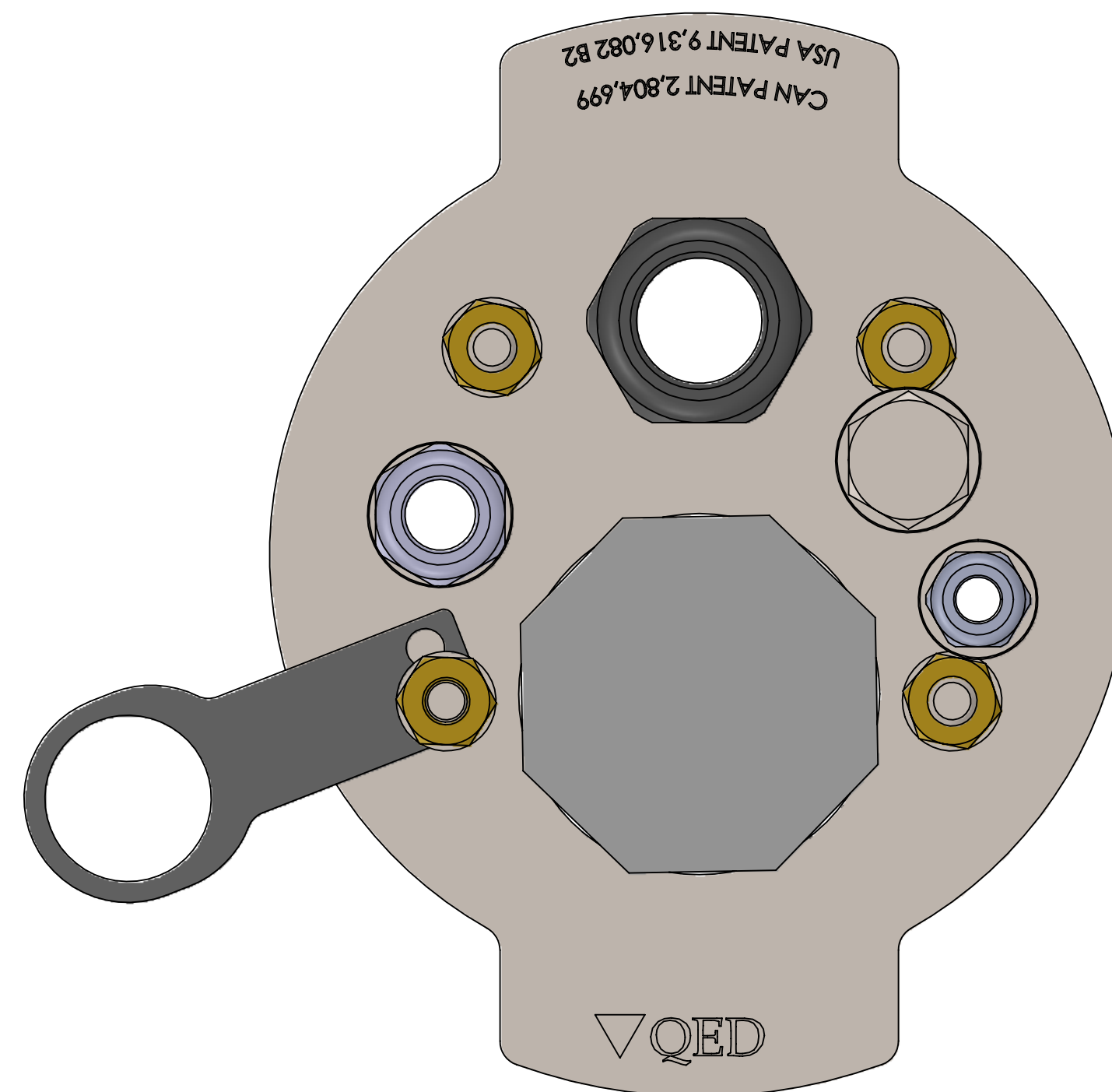
AIR EXHAUST

AIR SUPPLY




ITEM	PART #	DESCRIPTION	QTY.
1	835-80-BASE	8" SCH 80 OR DR17 WELL, 3" GAS PORT, BASE CAP	1
2	200972	PLUG 3 S SCH 40 PVC	1
3	PLUG-SS-75	3/4in NPT-M Plug	1
4	39227	COMP .230 -.546 X 1/2" MPT LT NYLON	1
5	39226	CONNECTOR COMPRESSION 5/8 T X 3/4 NPT	1
6	CF-NY-125-100	Cable Gland 1-1/4in	1

A



AS ASSEMBLED

NOTE:
1. TEFLON TAPE ALL PIPE THREADED JOINTS.

UNLESS OTHERWISE SPECIFIED, DIMENSIONS ARE IN INCHES AND INCLUDE PLATING REMOVE ALL BURRS	DRAWN BY	DATE	 2355 BISHOP CIRCLE W, DEXTER, MI. 48130
	TR	02-15-18	
TOLERANCES XX +/- .01 FRACT +/- 1/64 XXX +/- .005 ANGLES +/- 1/2 OTHER TOLERANCES AS SPECIFIED	CHECKED BY	DATE	TITLE 8" WELL SEAL, EXH OUT, SCH 80, 1.25, 5/8 & 1/2 C FTGS
	-	-	
NEXT ASSY -	APPROVED BY	DATE	DWG. NO. AP308361 SCALE 1:4 SHEET 1 OF 1
USED ON -	-	-	
	MATERIAL -		REV. A
	FINISH -		