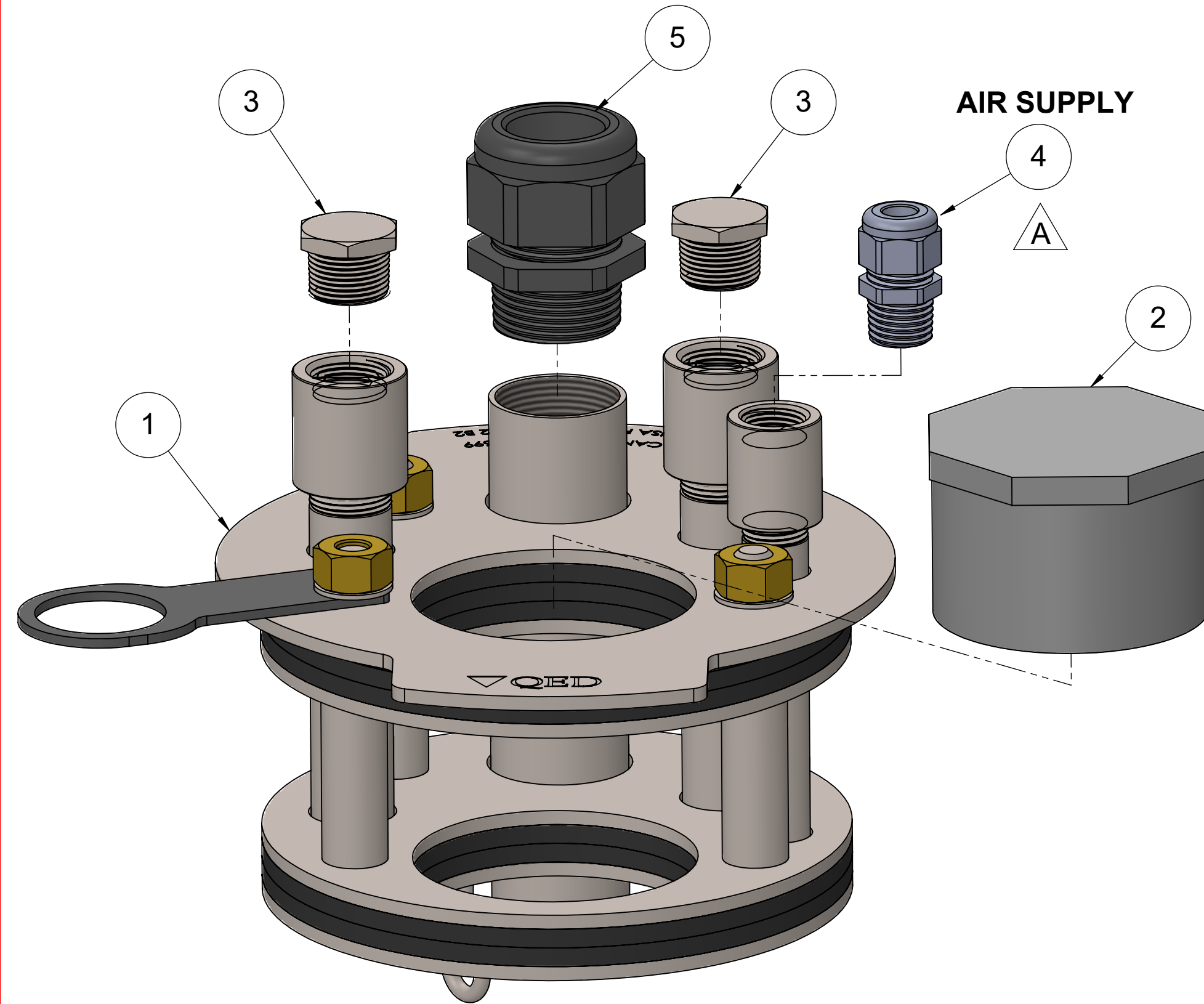


THE INFORMATION CONTAINED IN THIS DRAWING IS THE SOLE PROPERTY OF Q.E.D. ENVIRONMENTAL ANY REPRODUCTION IN PART OR WHOLE WITHOUT THE WRITTEN PERMISSION OF Q.E.D. ENVIRONMENTAL IS PROHIBITED.

REVISIONS

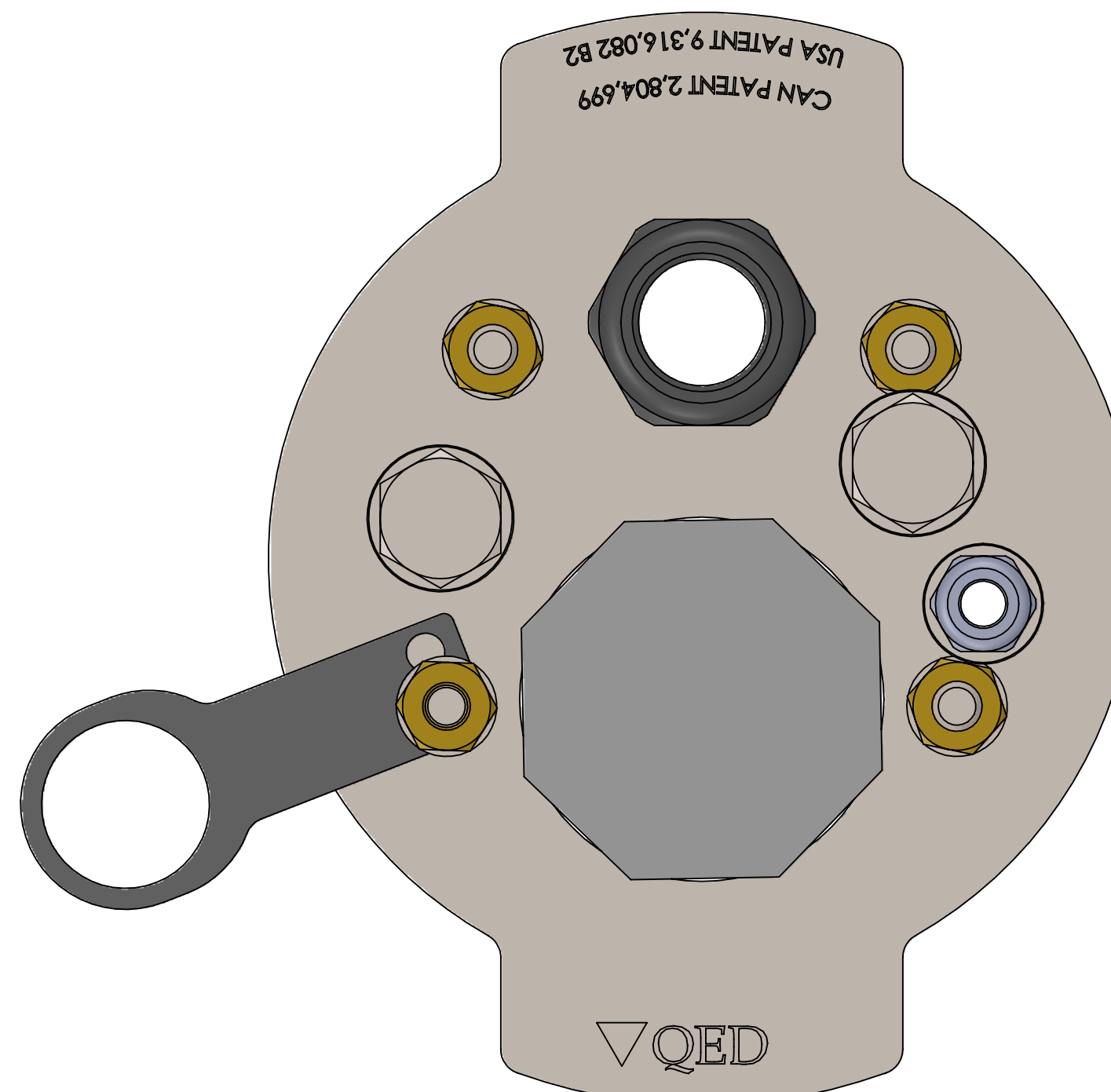
REV.	DESCRIPTION	ECO #	DRAWN BY	CHECKED BY	DATE
-	INITIAL RELEASE	4045	TR	-	2/15/2018
A	39227 WAS 202868	4311	MTM	-	10/25/2018

FLUID DISCHARGE




AIR SUPPLY

ITEM	PART #	DESCRIPTION	QTY.
1	835-80-BASE	8" SCH 80 OR DR17 WELL, 3" GAS PORT, BASE CAP	1
2	200972	PLUG 3 S SCH 40 PVC	1
3	PLUG-SS-75	3/4in NPT-M Plug	2
4	39227	COMP .230 -.546 X 1/2" MPT LT NYLON	1
5	CF-NY-125-100	Cable Gland 1-1/4in	1



AS ASSEMBLED

NOTE:
1. TEFLON TAPE ALL PIPE THREADED JOINTS.

UNLESS OTHERWISE SPECIFIED, DIMENSIONS ARE IN INCHES AND INCLUDE PLATING REMOVE ALL BURRS	DRAWN BY TR	DATE 02-15-18	 2355 BISHOP CIRCLE W, DEXTER, MI. 48130
	CHECKED BY -	DATE -	
TOLERANCES XX +/- .01 FRACT +/- 1/64 XXX +/- .005 ANGLES +/- 1/2 OTHER TOLERANCES AS SPECIFIED	APPROVED BY -	DATE -	TITLE 8" WELL SEAL, EXH IN, SCH 80, 1.25 & 1/2 C FTGS
NEXT ASSY -	MATERIAL -	DWG. NO. AP308365	REV. A
USED ON -	FINISH -	SCALE 1:4	SHEET 1 OF 1