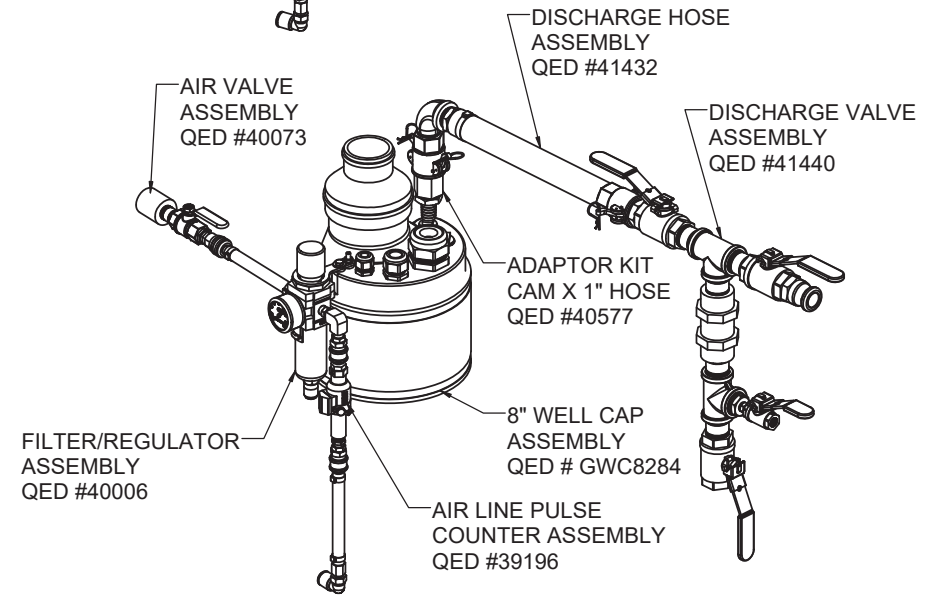
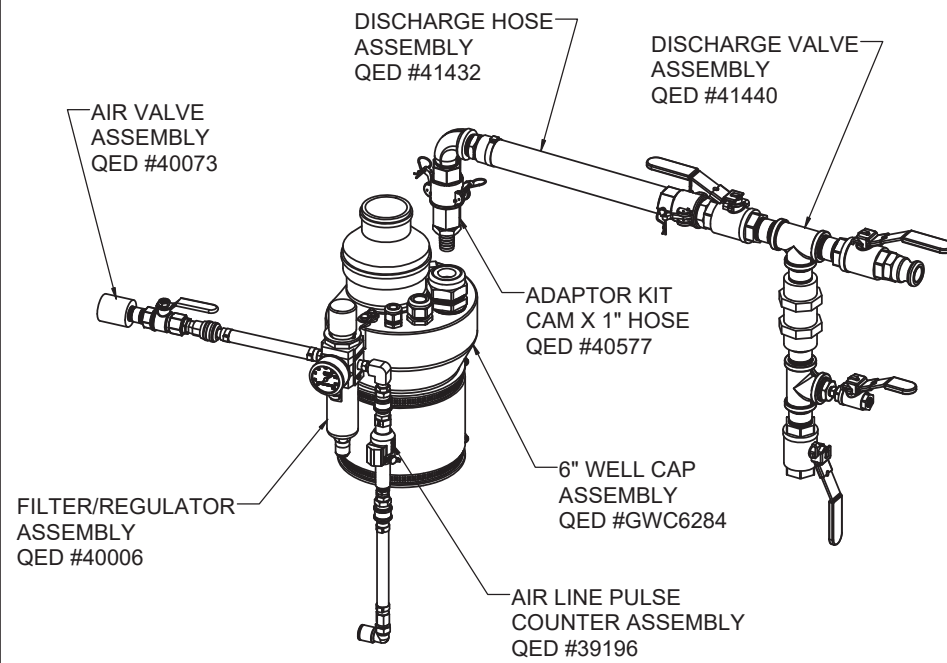
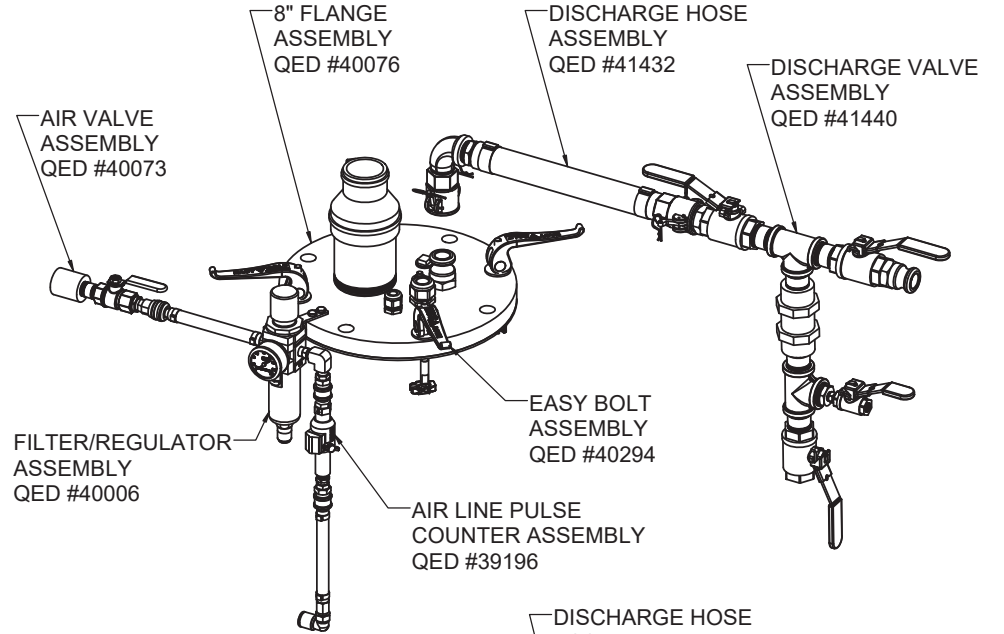
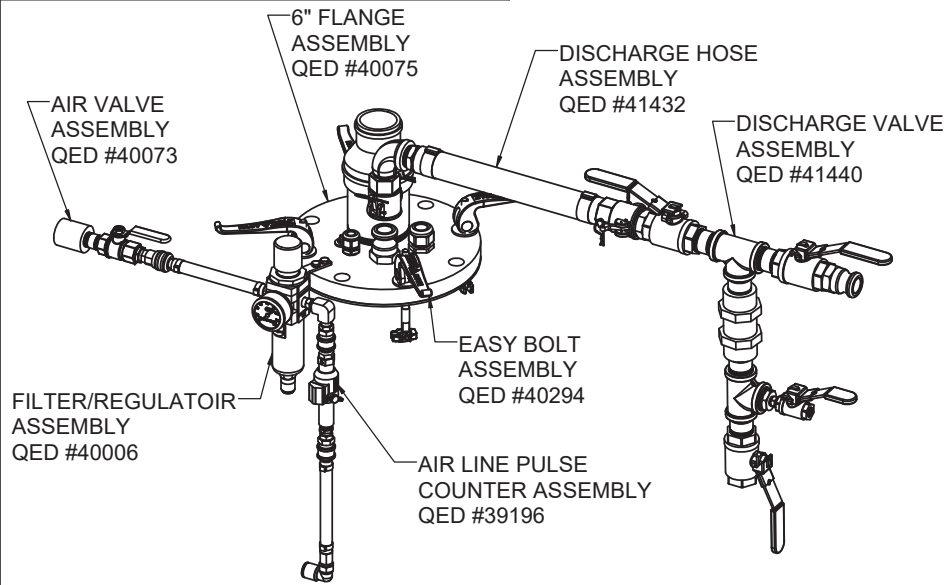



THE INFORMATION CONTAINED IN THIS DRAWING IS THE SOLE PROPERTY OF Q.E.D. ENVIRONMENTAL. ANY REPRODUCTION IN PART OR WHOLE WITHOUT THE WRITTEN PERMISSION OF Q.E.D. ENVIRONMENTAL IS PROHIBITED.



UNLESS OTHERWISE SPECIFIED, DIMENSIONS ARE IN INCHES AND INCLUDE PLATING REMOVE ALL BURRS	DRAWN BY	DATE	 2355 BISHOP CIRCLE W, DEXTER, MI. 48130
	L.N.	3-6-18	
TOLERANCES XX +/- .01 FRACT +/- .164 XXX +/- .005 ANGLES +/- 1/2 OTHER TOLERANCES AS SPECIFIED	CHECKED BY	DATE	TITLE <b>DUAL EXTRACTION COMPONENTS</b>
	S.W.	3-13-18	
NEXT ASSY -	APPROVED BY	DATE	DWG. NO. 95327
USED ON -	S.W.	3-13-18	SCALE 1:2
MATERIAL -	FINISH -		SHEET 3 OF 4
			REV. A