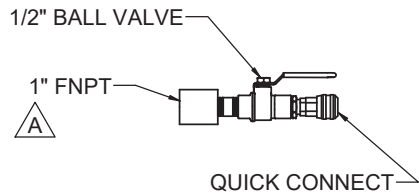
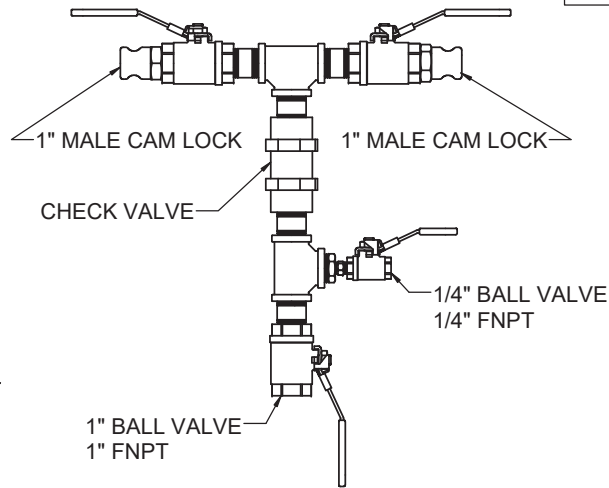


THE INFORMATION CONTAINED IN THIS DRAWING IS THE SOLE PROPERTY OF Q.E.D. ENVIRONMENTAL. ANY REPRODUCTION IN PART OR WHOLE WITHOUT THE WRITTEN PERMISSION OF Q.E.D. ENVIRONMENTAL IS PROHIBITED.

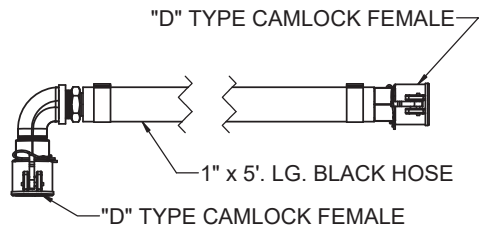
REVISIONS					
REV.	DESCRIPTION	ECO #	DRAWN BY	CHECKED BY	DATE
-	RELEASED FOR PRODUCTION		L.N.	S.W.	3/6/2018
A	1" FNPT WAS 1/2" FNPT	4123	L.N.	S.W.	5/15/2018



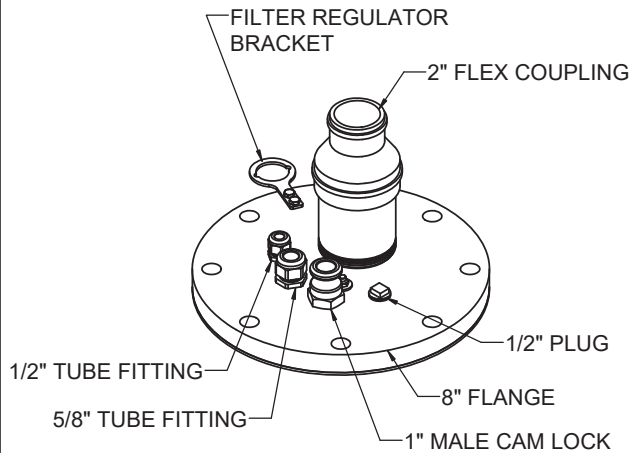
AIR VALVE ASSEMBLY
QED #40073



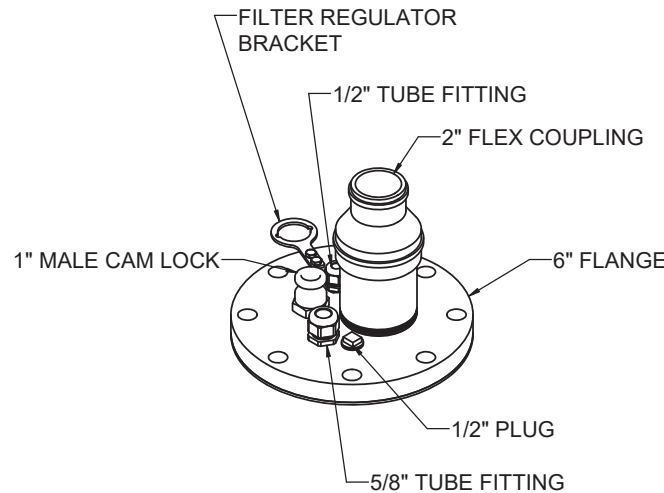
DISCHARGE VALVE ASSEMBLY
QED #41440



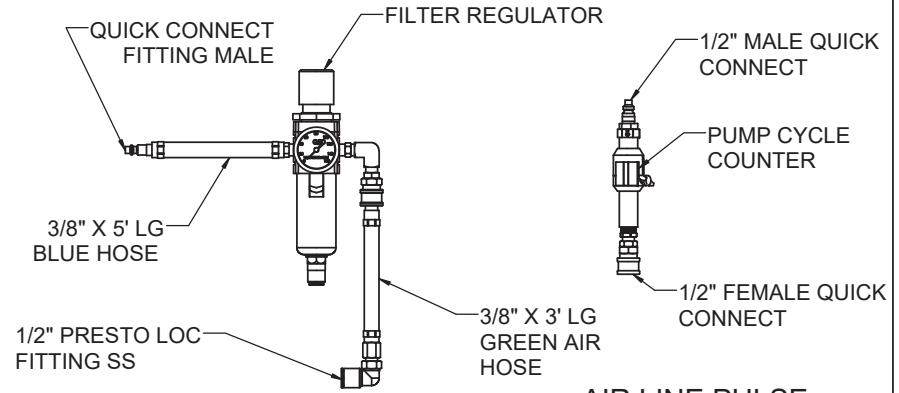
DISCHARGE HOSE ASSEMBLY
QED #41432



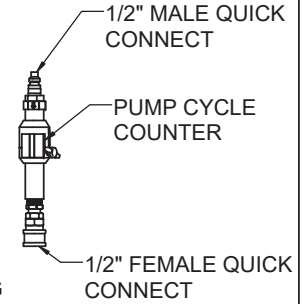
8" WELL HEAD FLANGE ASSY
QED # 40076



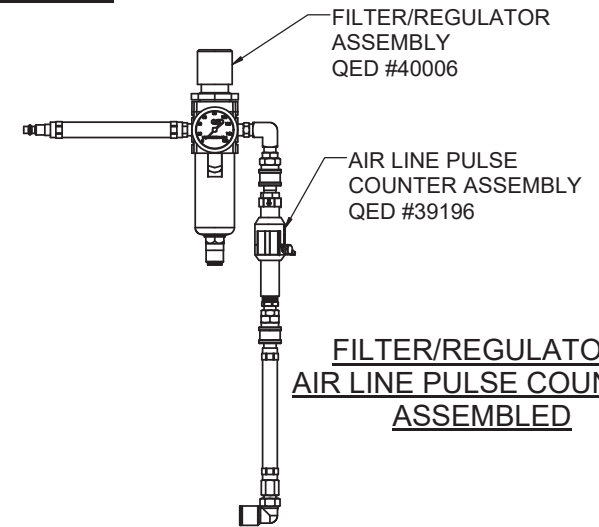
6" WELL HEAD FLANGE ASSY
QED # 40075




FILTER/REGULATOR ASSEMBLY
QED # 40006



AIR LINE PULSE COUNTER ASSEMBLY
QED # 39196



FILTER/REGULATOR AIR LINE PULSE COUNTER ASSEMBLED

<small>UNLESS OTHERWISE SPECIFIED DIMENSIONS ARE IN INCHES AND INCLUDE PLATING REMOVE ALL BURRS</small> <small>TOLERANCES XX +/- .01 FRACT +/- 1/64 XXX +/- .005 ANGLES +/- 1/2 OTHER TOLERANCES AS SPECIFIED</small>	<small>DRAWN BY</small> L.N.	<small>DATE</small> 3-6-18	 <small>2355 BISHOP CIRCLE W, DEXTER, MI. 48130</small>
	<small>CHECKED BY</small> S.W.	<small>DATE</small> 3-13-18	
	<small>APPROVED BY</small> S.W.	<small>DATE</small> 3-13-18	
	<small>NEXT ASSY</small> -	<small>MATERIAL</small> -	
<small>USED ON</small> -	<small>FINISH</small> -	<small>SCALE</small> 1:2	<small>SHEET</small> 1 OF 4