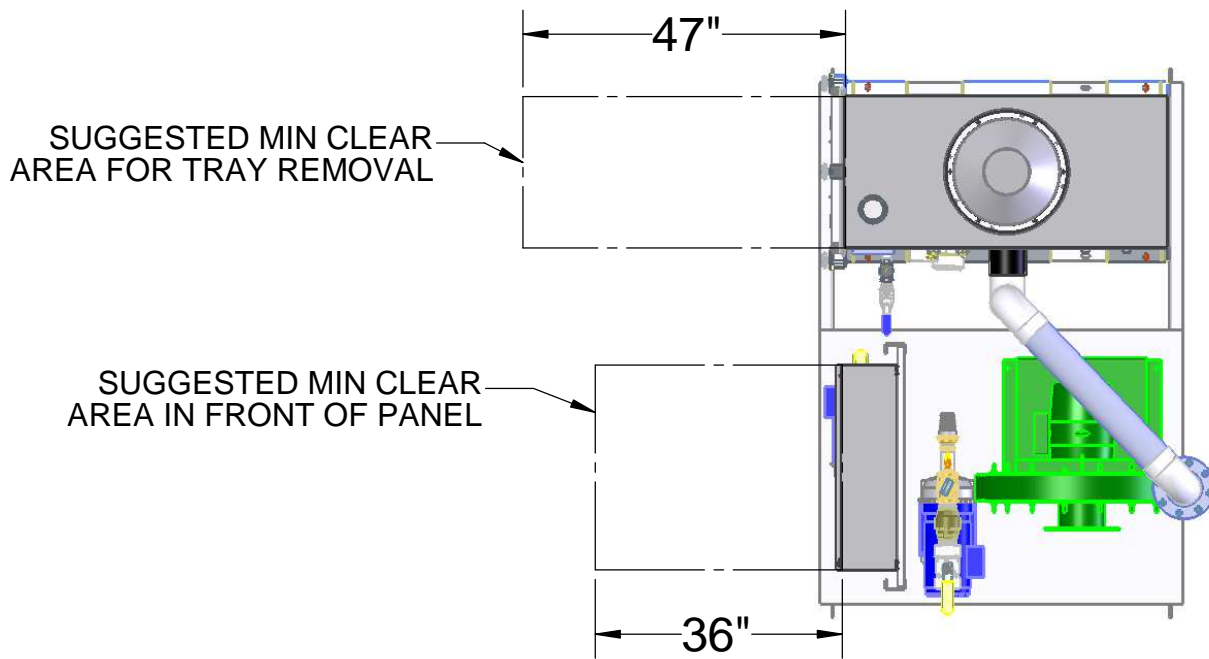


**EZ-8.4SS (AIR STRIPPER ONLY)**

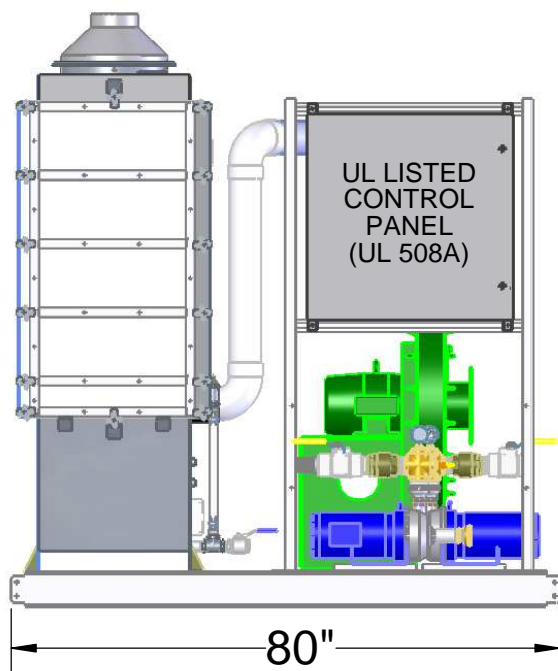
FOR MORE SPECIFICATIONS CLICK ON:

[http://www.qedenv.com/Products/Airstrippers\\_VOC\\_Removal/Air\\_Stripper\\_Specifications/](http://www.qedenv.com/Products/Airstrippers_VOC_Removal/Air_Stripper_Specifications/)

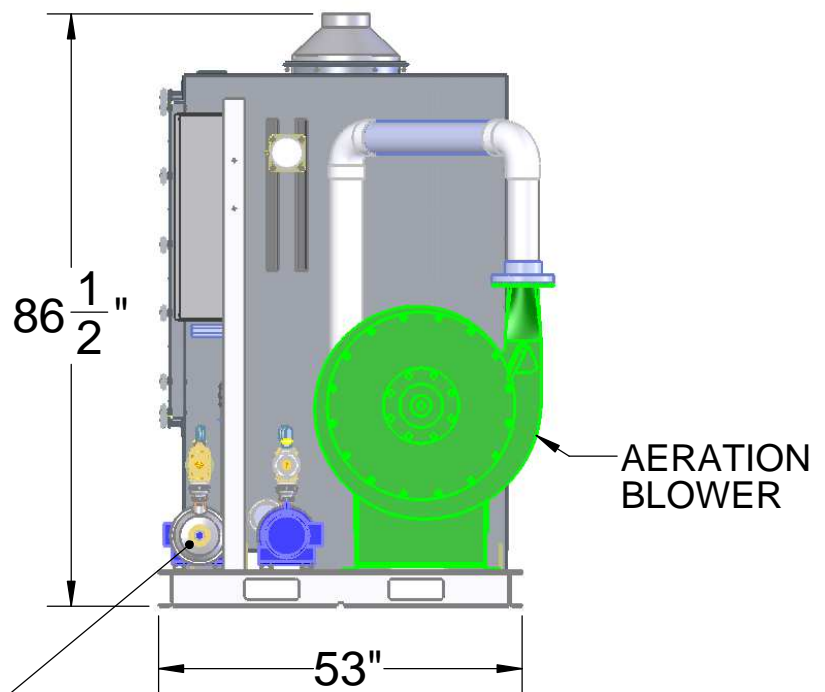
NOT TO SCALE  
**NOT FOR CONSTRUCTION, FOR REFERENCE ONLY**



PLAN VIEW



FRONT VIEW



WATER INLET AND DISCHARGE PUMPS  
(TYPICALLY 2" NPT CONNECTIONS)

SIDE VIEW

## EZ-8.4SS

EXAMPLE OF A SKID SYSTEM WITH CONTROL PANEL, PUMPS, AND BLOWER  
CONTACT QED FOR INFORMATION ON ALL OPTIONS.

NOT TO SCALE

*NOT FOR CONSTRUCTION, FOR REFERENCE ONLY*