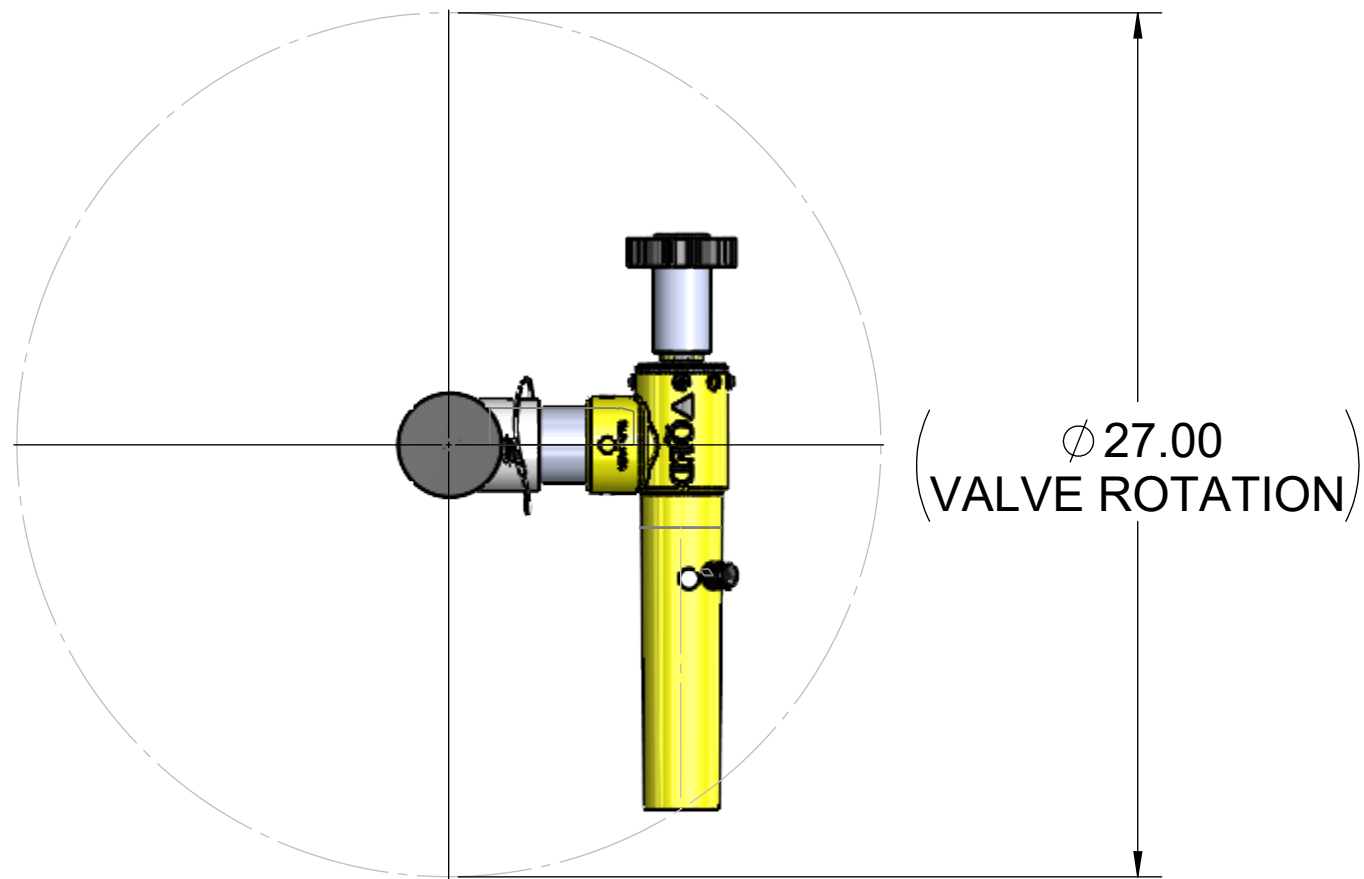
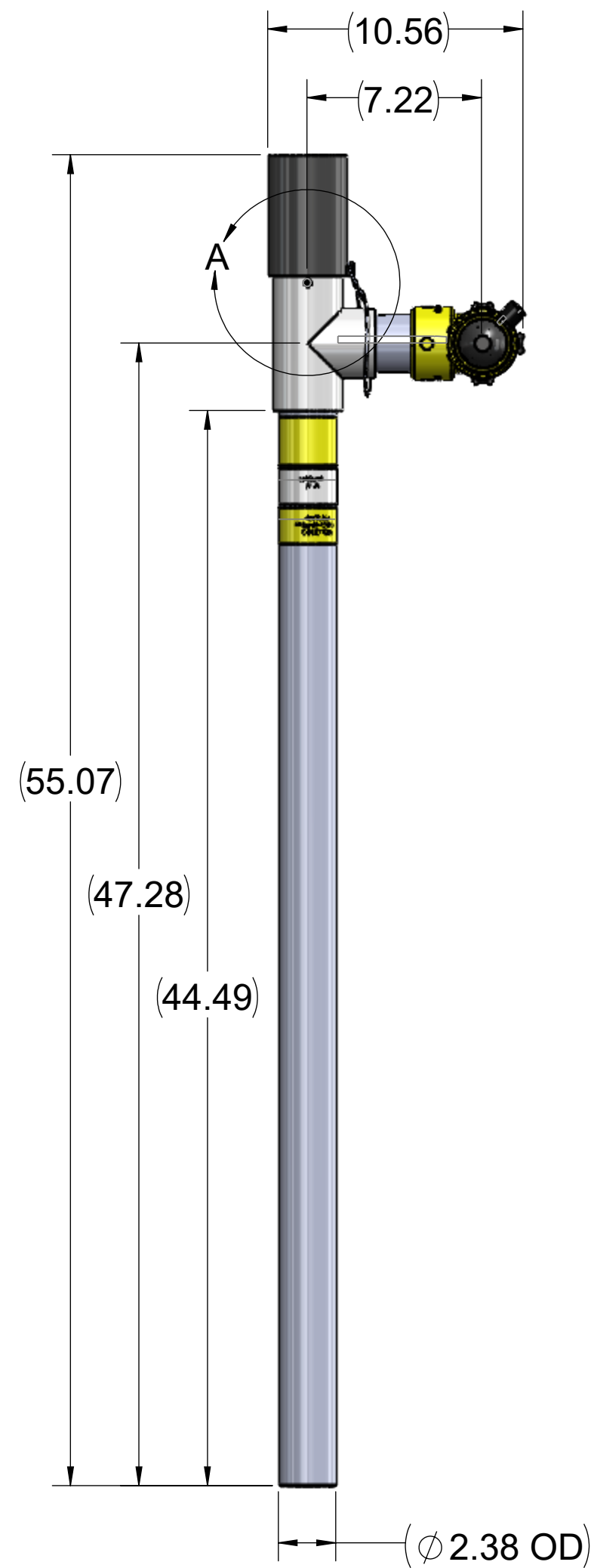
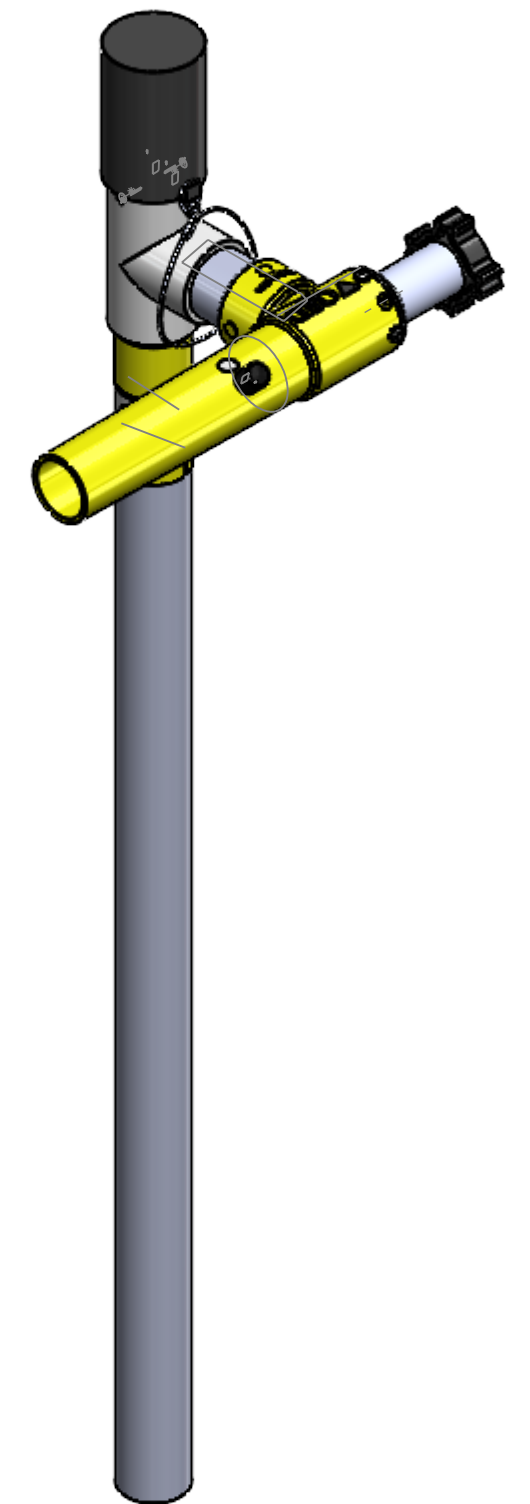
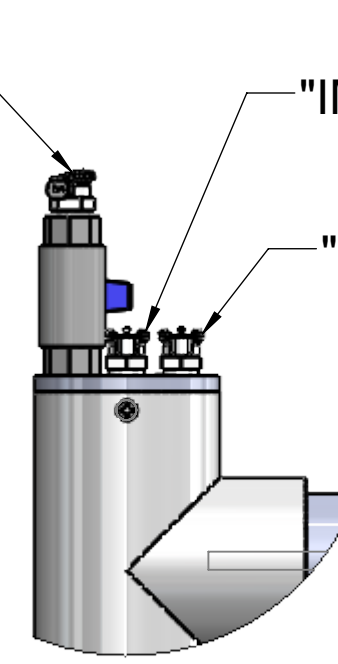


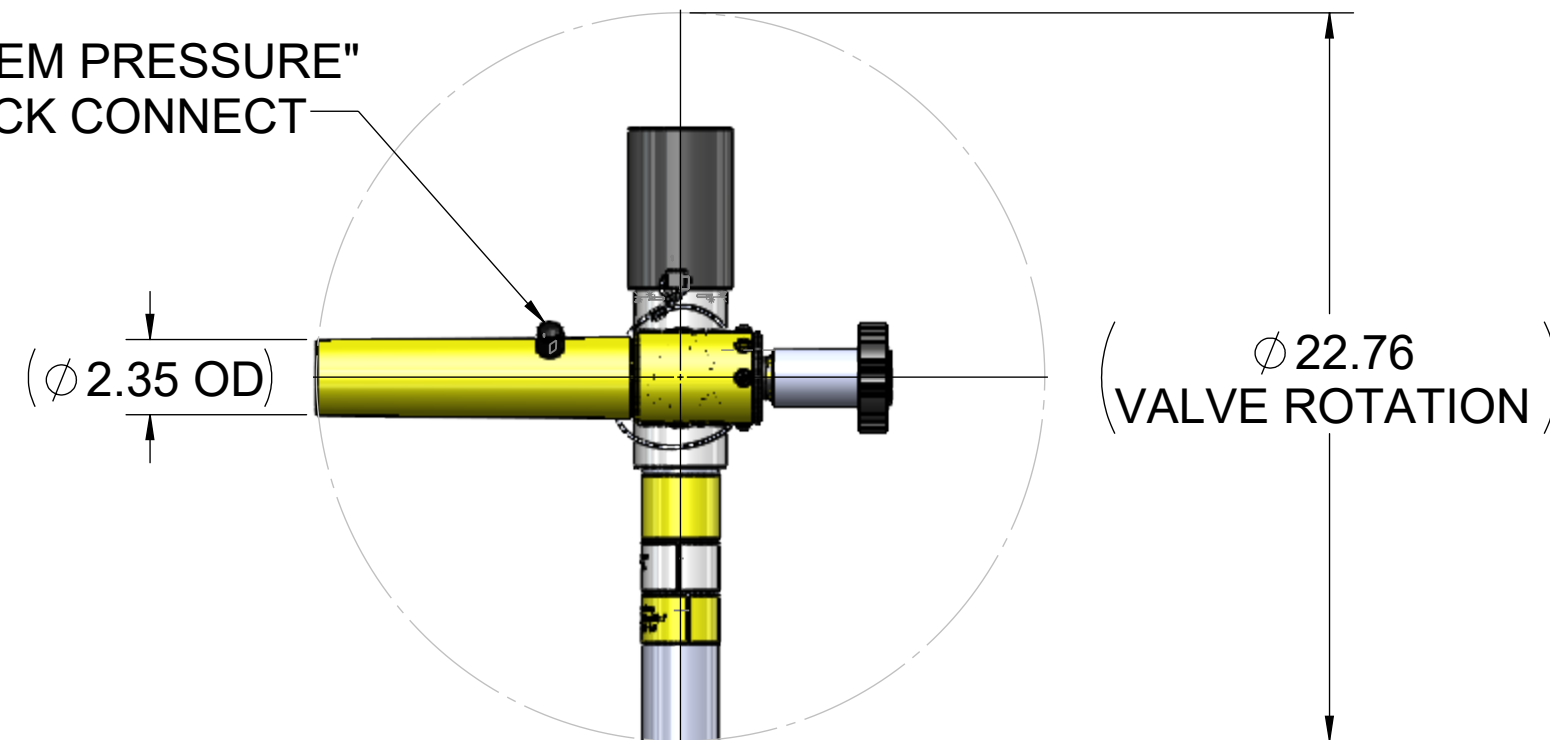
THE INFORMATION CONTAINED IN THIS DRAWING IS THE SOLE PROPERTY OF Q.E.D. ENVIRONMENTAL ANY REPRODUCTION IN PART OR WHOLE WITHOUT THE WRITTEN PERMISSION OF Q.E.D. ENVIRONMENTAL IS PROHIBITED.




"TEMPERATURE" QUICK CONNECT  
 "IMPACT PRESSURE" QUICK CONNECT  
 "STATIC PRESSURE" QUICK CONNECT



"SYSTEM PRESSURE" QUICK CONNECT



|  |                        |            |   |
|--|------------------------|------------|---|
| <small>UNLESS OTHERWISE SPECIFIED:<br/>         DIMENSIONS ARE IN INCHES<br/>         DIM &amp; TOL STD 1.0402 &amp; ASME Y14.5-1994<br/>         CENTERLINE VARIANCE STD 1.0416 (12/2013)<br/>         HOLE TOLERANCE STD 1.0417 (12/2013)<br/>         BURR &amp; EDGES STD 1.0420<br/>         THREADS STD 1.0425<br/>         SURFACE ROUGHNESS STD 1.0470 (12/2013)<br/>         O-RING GROOVE STD 1.0441</small> | DRAWN BY<br><b>DJC</b> | DATE<br>-  | <br><b>2355 BISHOP CIRCLE W, DEXTER, MI. 48130</b> |
|  | CHECKED BY<br>-        | DATE<br>-  |   |
| <small>TOLERANCES<br/>         XX +/- .01 FRACT +/- 1/64<br/>         XXX +/- .005 ANGLES +/- 1/2<br/>         OTHER TOLERANCES<br/>         AS SPECIFIED</small>  | APPROVED BY<br>-       | DATE<br>-  | TITLE<br><b>2" WELLHEAD W/<br/>QUICK CONNECTIONS</b>  |
|  | NEXT ASSY -            | MATERIAL - | DWG. NO. AF020-P-Q dimensions   |
| USED ON -  | FINISH -               | SCALE 1:8  | REV. -<br>SHEET 1 OF 1  |