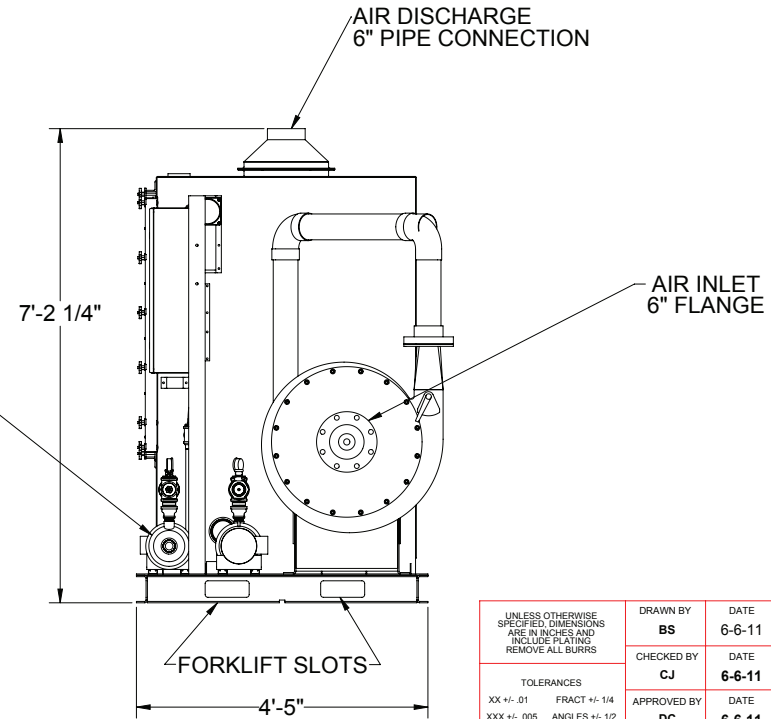
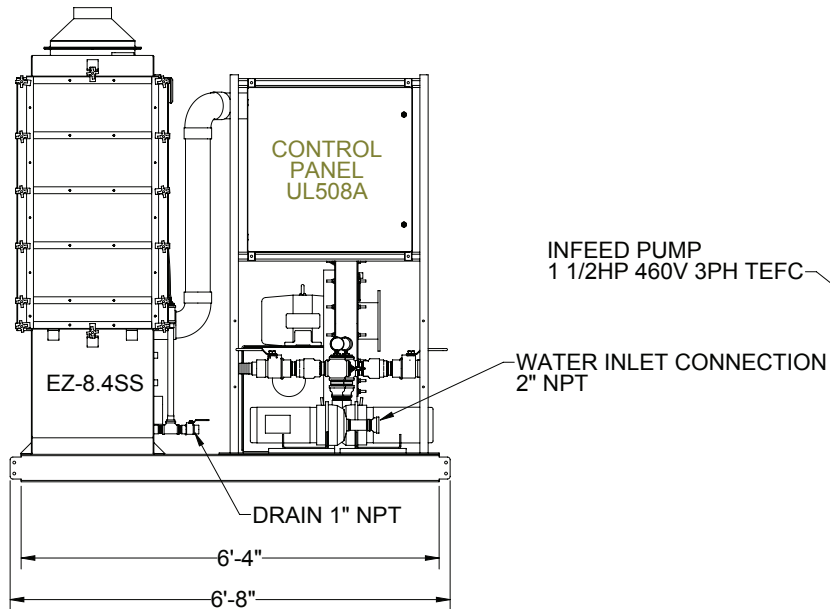
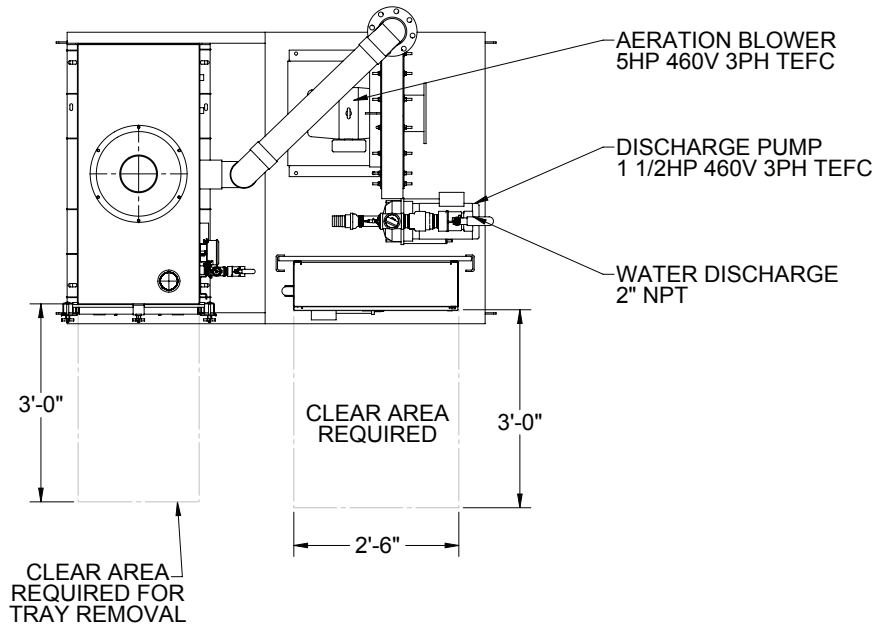



THE INFORMATION CONTAINED IN THIS DRAWING IS THE SOLE PROPERTY OF Q.E.D. ENVIRONMENTAL. ANY REPRODUCTION IN PART OR WHOLE WITHOUT THE WRITTEN PERMISSION OF Q.E.D. ENVIRONMENTAL IS PROHIBITED.

REVISIONS					
REV.	DESCRIPTION	ECO #	DRAWNBY	CHECKEDBY	DATE
-	RELEASED FOR APPROVAL		-	-	6-6-11



UNLESS OTHERWISE SPECIFIED DIMENSIONS ARE IN INCHES AND INCLUDE PLATING REMOVE ALL BURRS	DRAWN BY BS	DATE 6-6-11	 QED Environmental Systems 6155 JACKSON ROAD, ANN ARBOR, MI. 48103
	CHECKED BY CJ	DATE 6-6-11	
	APPROVED BY DC	DATE 6-6-11	
TOLERANCES XX +/- .01 FRACT +/- 1/4 XXX +/- .005 ANGLES +/- 1/2 OTHER TOLERANCES AS SPECIFIED	TITLE CLEAN ENVIRONMENT		
NEXT ASSY -	MATERIAL -	DWG. NO. 11T-32023 LAYOUT	REV. -
USED ON -	FINISH -	SCALE 1:16	SHEET OF