

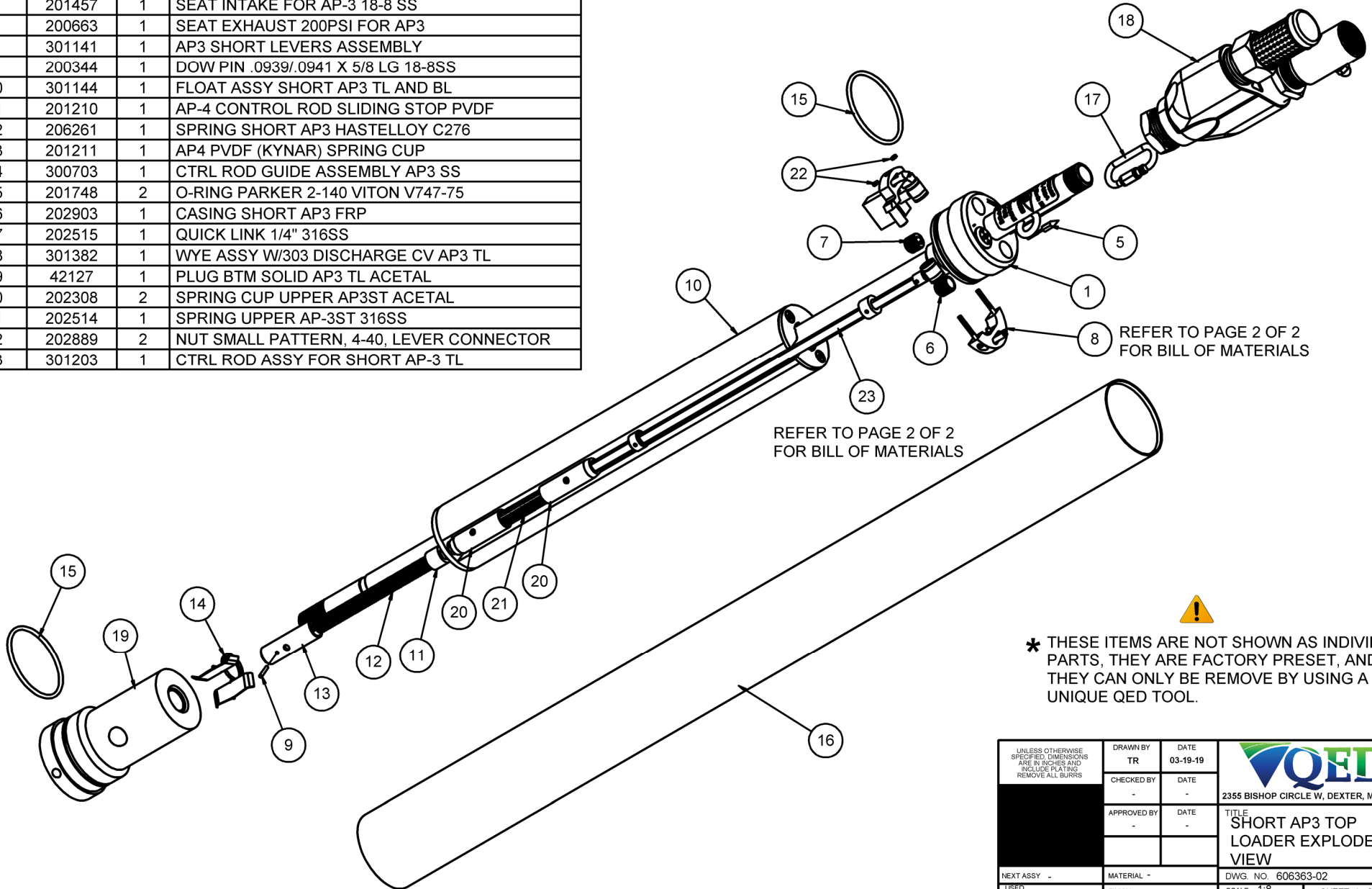
THE INFORMATION CONTAINED IN THIS DRAWING IS THE SOLE PROPERTY OF Q.E.D. ENVIRONMENTAL. ANY REPRODUCTION IN PART OR WHOLE WITHOUT THE WRITTEN PERMISSION OF Q.E.D. ENVIRONMENTAL IS PROHIBITED.

ITEM	PART #	QTY.	DESCRIPTION
1	302855	1	FRAME AP3 SHORT ATEX
2	201267	2	CAP AP3 MAGNET WELL 303SS
3	201258	2	10-32 x 3-8 CP SKT SET 18-8 SS
4	303002	2	AP3 MAGNET ASSY W/EPOXY
5	201671	1	POPPET INTAKE FOR AP-3 303SS
6	201457	1	SEAT INTAKE FOR AP-3 18-8 SS
7	200663	1	SEAT EXHAUST 200PSI FOR AP3
8	301141	1	AP3 SHORT LEVERS ASSEMBLY
9	200344	1	DOW PIN .0939/.0941 X 5/8 LG 18-8SS
10	301144	1	FLOAT ASSY SHORT AP3 TL AND BL
11	201210	1	AP-4 CONTROL ROD SLIDING STOP PVDF
12	206261	1	SPRING SHORT AP3 HASTELLOY C276
13	201211	1	AP4 PVDF (KYNAR) SPRING CUP
14	300703	1	CTRL ROD GUIDE ASSEMBLY AP3 SS
15	201748	2	O-RING PARKER 2-140 VITON V747-75
16	202903	1	CASING SHORT AP3 FRP
17	202515	1	QUICK LINK 1/4" 316SS
18	301382	1	WYE ASSY W/303 DISCHARGE CV AP3 TL
19	42127	1	PLUG BTM SOLID AP3 TL ACETAL
20	202308	2	SPRING CUP UPPER AP3ST ACETAL
21	202514	1	SPRING UPPER AP-3ST 316SS
22	202889	2	NUT SMALL PATTERN, 4-40, LEVER CONNECTOR
23	301203	1	CTRL ROD ASSY FOR SHORT AP-3 TL

⚠

301090A


REFER TO PAGE 2 OF 2 FOR BILL OF MATERIALS



REFER TO PAGE 2 OF 2 FOR BILL OF MATERIALS

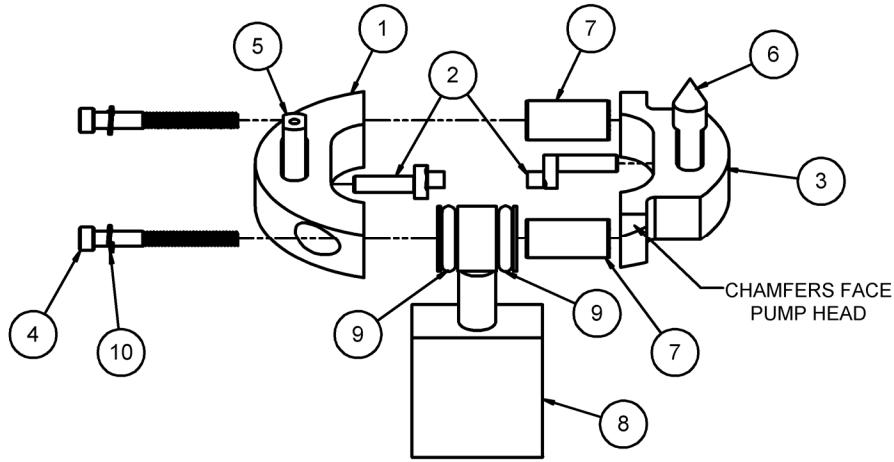
REFER TO PAGE 2 OF 2 FOR BILL OF MATERIALS

⚠
* THESE ITEMS ARE NOT SHOWN AS INDIVIDUAL PARTS, THEY ARE FACTORY PRESET, AND THEY CAN ONLY BE REMOVE BY USING A UNIQUE QED TOOL.

UNLESS OTHERWISE SPECIFIED DIMENSIONS ARE IN INCHES AND INCLUDE PLATING REMOVE ALL BURRS	DRAWN BY TR	DATE 03-19-19	 2355 BISHOP CIRCLE W, DEXTER, MI. 48130
	CHECKED BY -	DATE -	
	APPROVED BY -	DATE -	
NEXT ASSY -	MATERIAL -	DWG. NO. 606363-02	REV. 02
USED ON -	FINISH -	SCALE 1:8	SHEET 1 OF 2

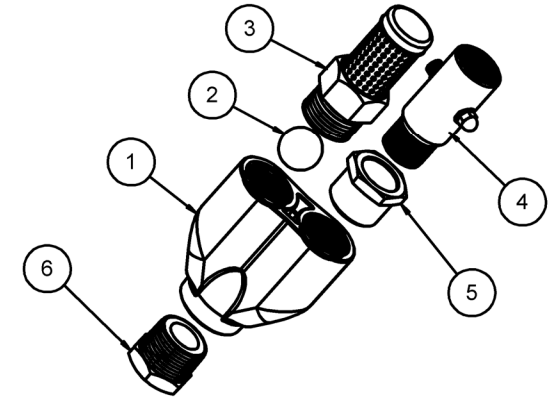
THE INFORMATION CONTAINED IN THIS DRAWING IS THE SOLE PROPERTY OF Q.E.D. ENVIRONMENTAL. ANY REPRODUCTION IN PART OR WHOLE WITHOUT THE WRITTEN PERMISSION OF Q.E.D. ENVIRONMENTAL IS PROHIBITED.

301141 - AP3 SHORT LEVERS ASSEMBLY



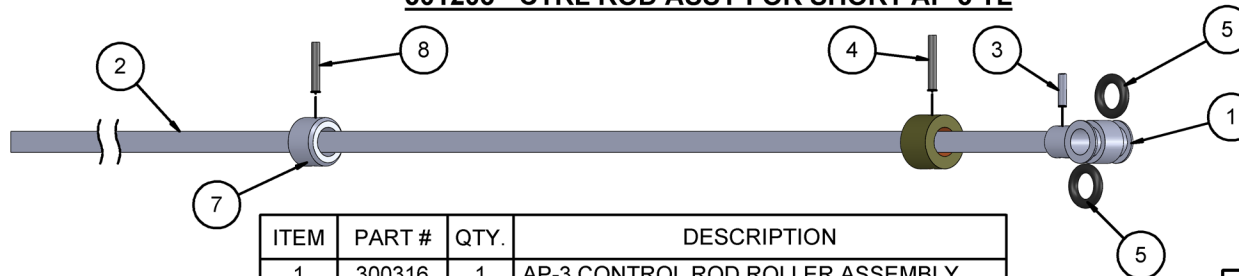
ITEM	PART #	QTY.	DESCRIPTION
1	201264	1	LEVER INT AP3 ACETAL
2	201197	2	POPPET CRANK PIVOT PIN AP3
3	201263	1	AP-3 AIR EXHAUST LEVER BLANK
4	201631	2	18-8 S.S. LEVER SCREW
5	201283	1	303 S.S. INTAKE POPPET CONNECTOR
6	201282	1	POPPET EXH AP3 303SS
7	201266	2	BUSHING ROLLER AP3 304SS
8	300433	1	COUNTERWEIGHT AP3 SHORT SS
9	200496	2	O-RING PARKER 2-109 VITON V747-75
10	201632	2	S.S. LEVER SCREW LOCK WASHER

301139 - WYE ASSY TL AP3 ACETAL



ITEM	PART #	QTY.	DESCRIPTION
1	301777	1	WYE IMPACT RESISTANT PINNED
2	201744	1	BALL, 1" TEFLON
3	301383	1	SCREEN AP4 TL FLUID INTAKE 316SS
4	300720	1	CV 3/4 MXF W/BOLT PIN BRASS
5	37219	1	BUSHING 1" MPT X 3/4" FPT BRASS
6	201746	1	BUSHING AP3 WYE ASSEMBLY

301203 - CTRL ROD ASSY FOR SHORT AP-3 TL



ITEM	PART #	QTY.	DESCRIPTION
1	300316	1	AP-3 CONTROL ROD ROLLER ASSEMBLY
2	202911	1	CONTROL ROD SHORT AP3 NYLON
3	205102	1	DOWEL PIN 3/32 X 3/8 18-8 SS
4	200344	1	DOW PIN .0939/.0941 X 5/8 LG 18-8SS
5	200496	2	O-RING PARKER 2-109 VITON V747-75
6	201209	1	STOP UPPER CTRL ROD AP4/AP3 PVDF
7	202309	1	SHORT AP3/TL MIDDLE STOP
8	202331	1	DOW PIN .0939/.0941 DIA X 9/16 18-8

UNLESS OTHERWISE SPECIFIED, DIMENSIONS ARE IN INCHES AND INCLUDE PLATING. REMOVE ALL BURRS.	DRAWN BY TR	DATE 03-19-19	 2355 BISHOP CIRCLE W, DEXTER, MI. 48130
	CHECKED BY -	DATE -	
	APPROVED BY -	DATE -	
NEXT ASSY -	MATERIAL -	DWG. NO. 606363-02	REV. 02
USED ON -	FINISH -	SCALE 1:1	SHEET 2 OF 2